

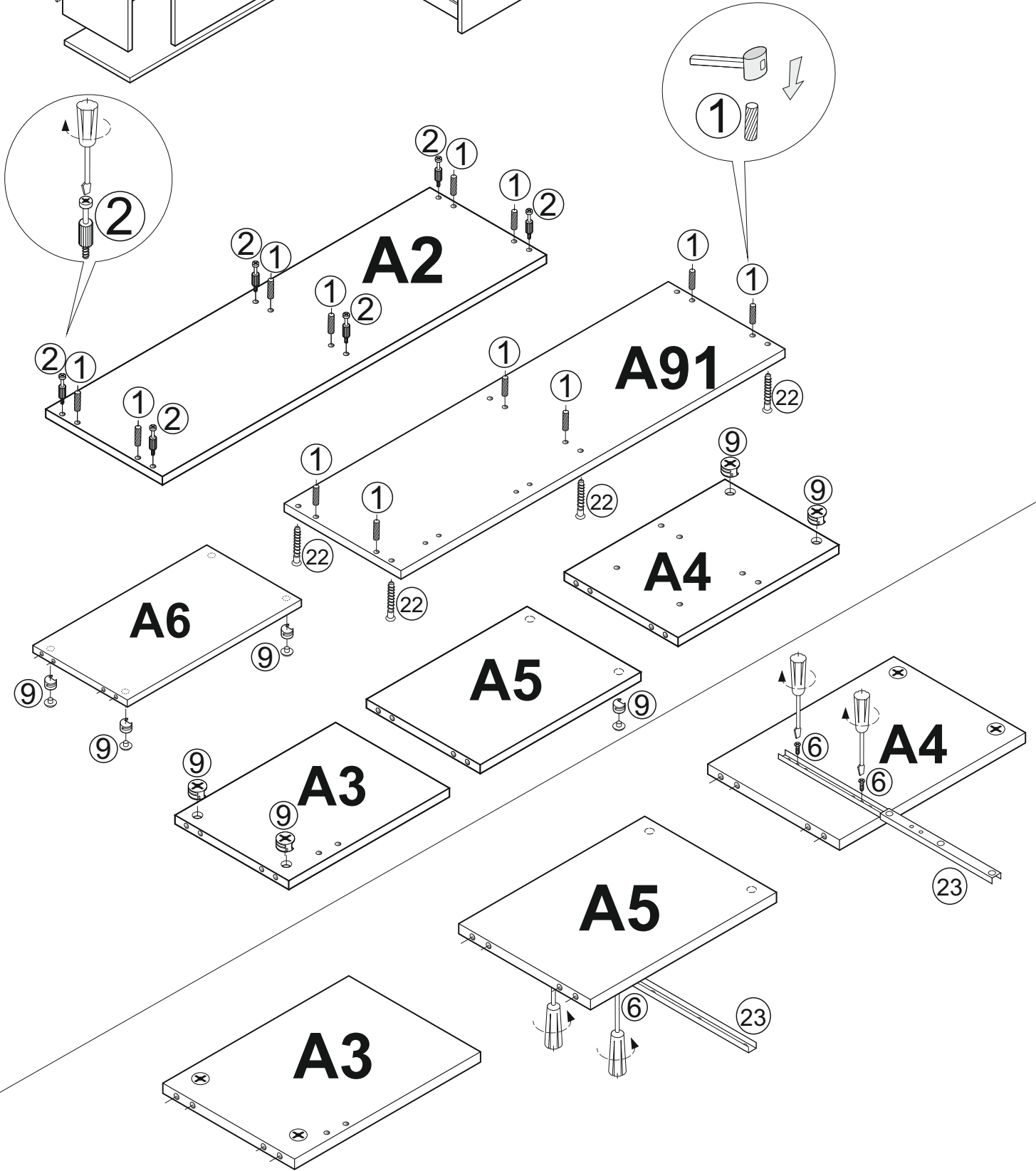
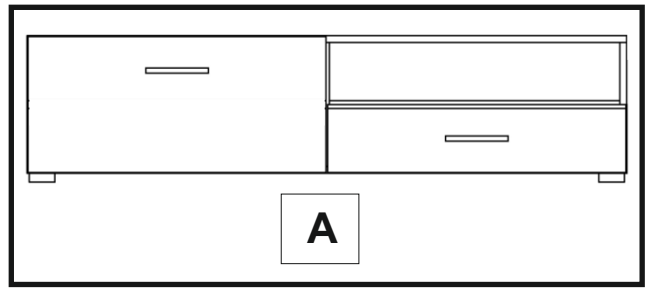
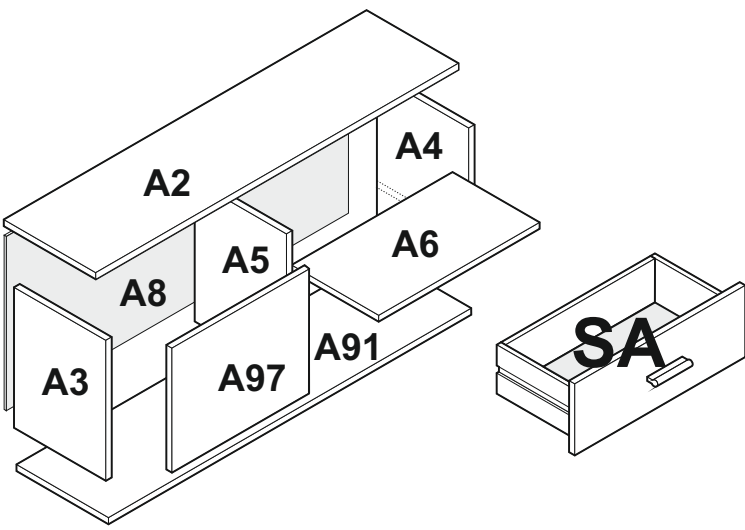
1		x 68
2		x 56
3		x 8
4A		x 16
4B		x 4
6		x 66
5		x 8
54P		x 4
10		x 10

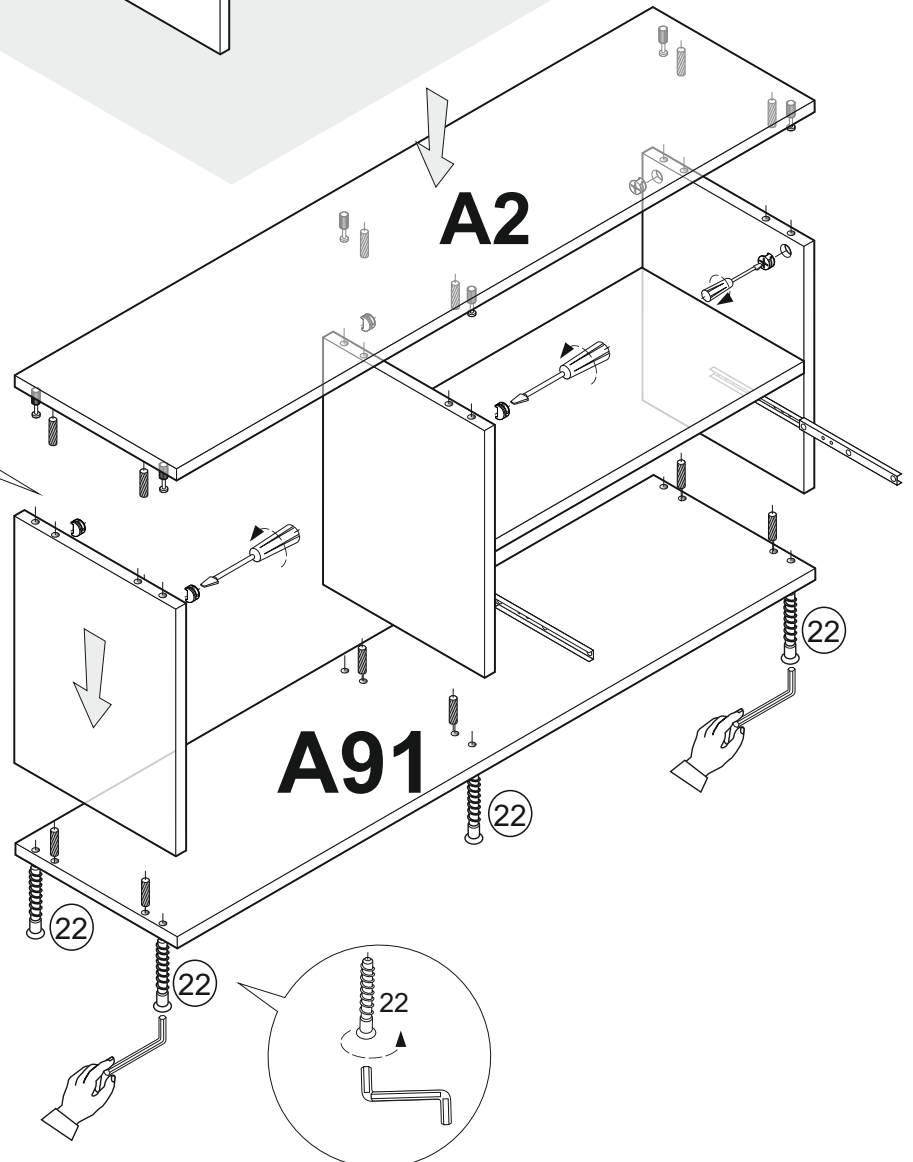
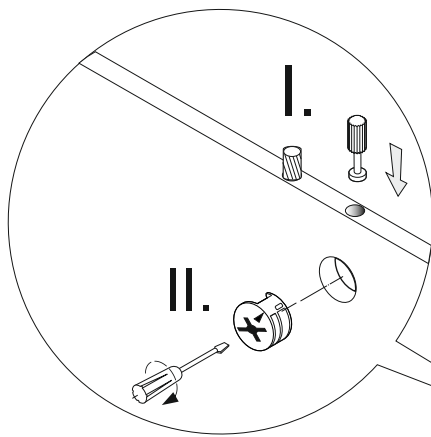
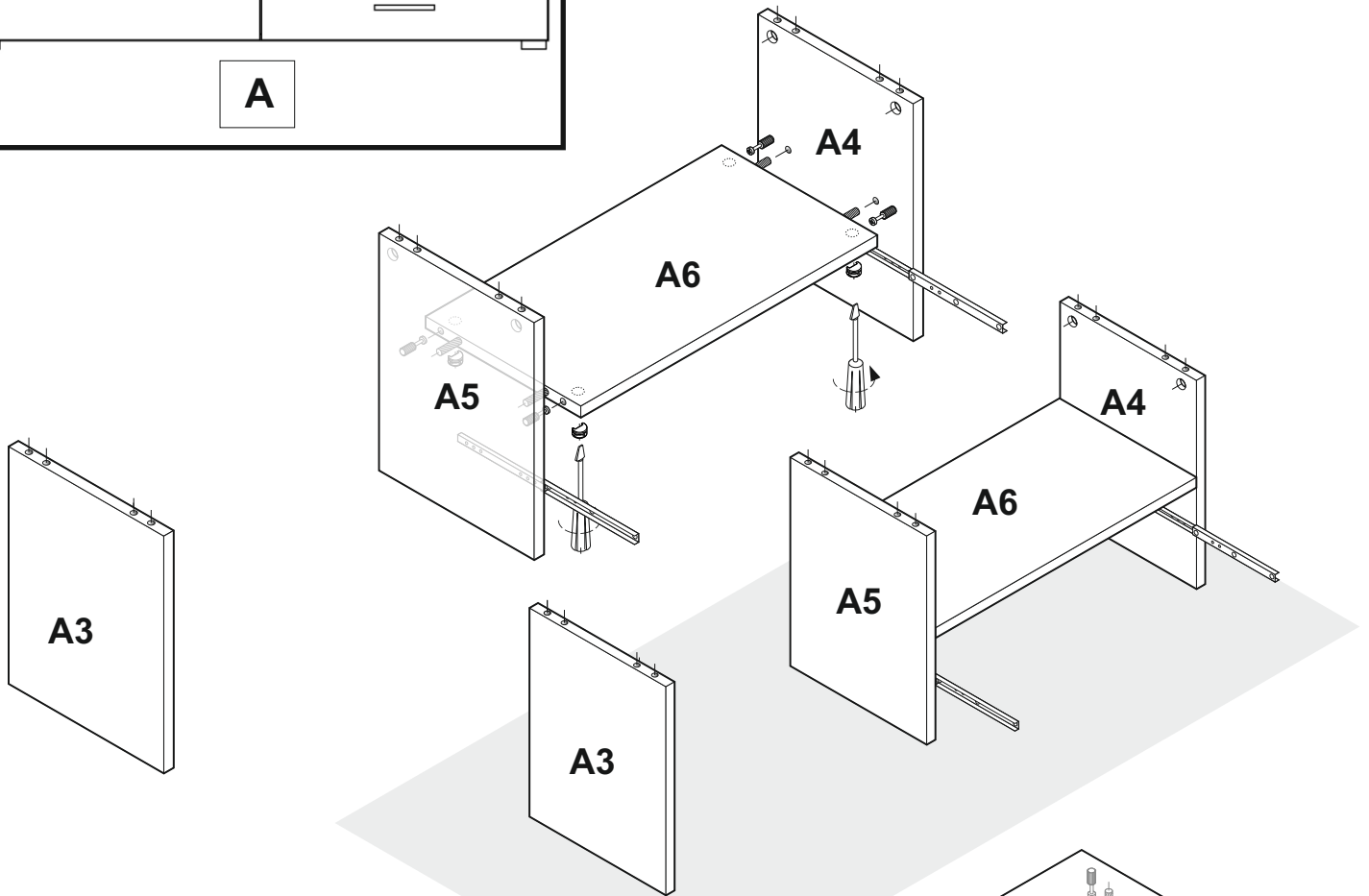
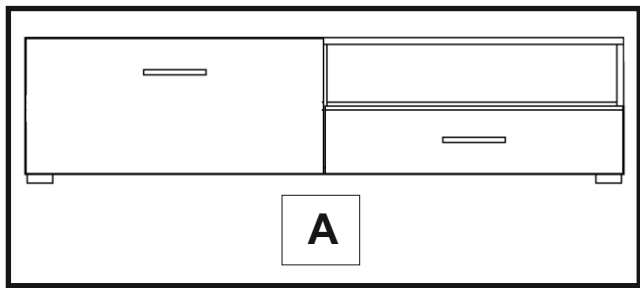
7		x 2
72		x 2
9		x 52
9A		x 52
26		x 1
30	LED LIGHTS	x 1
12		x 150

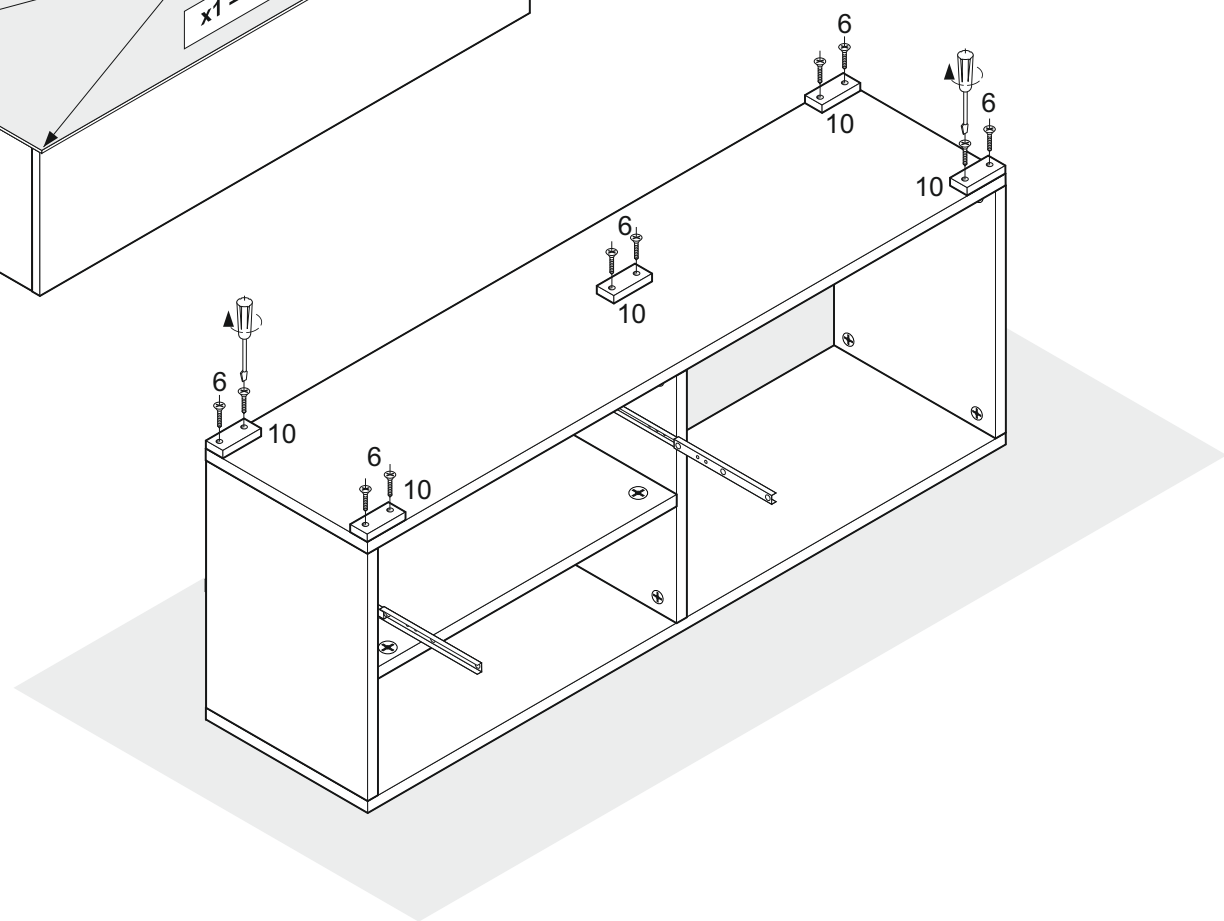
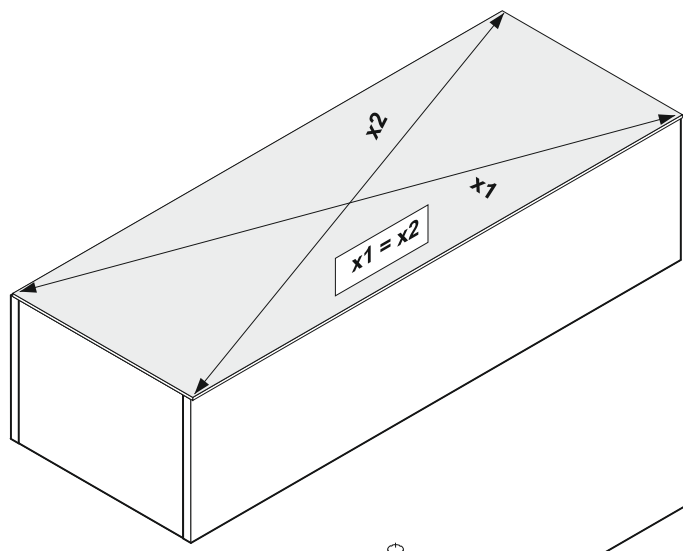
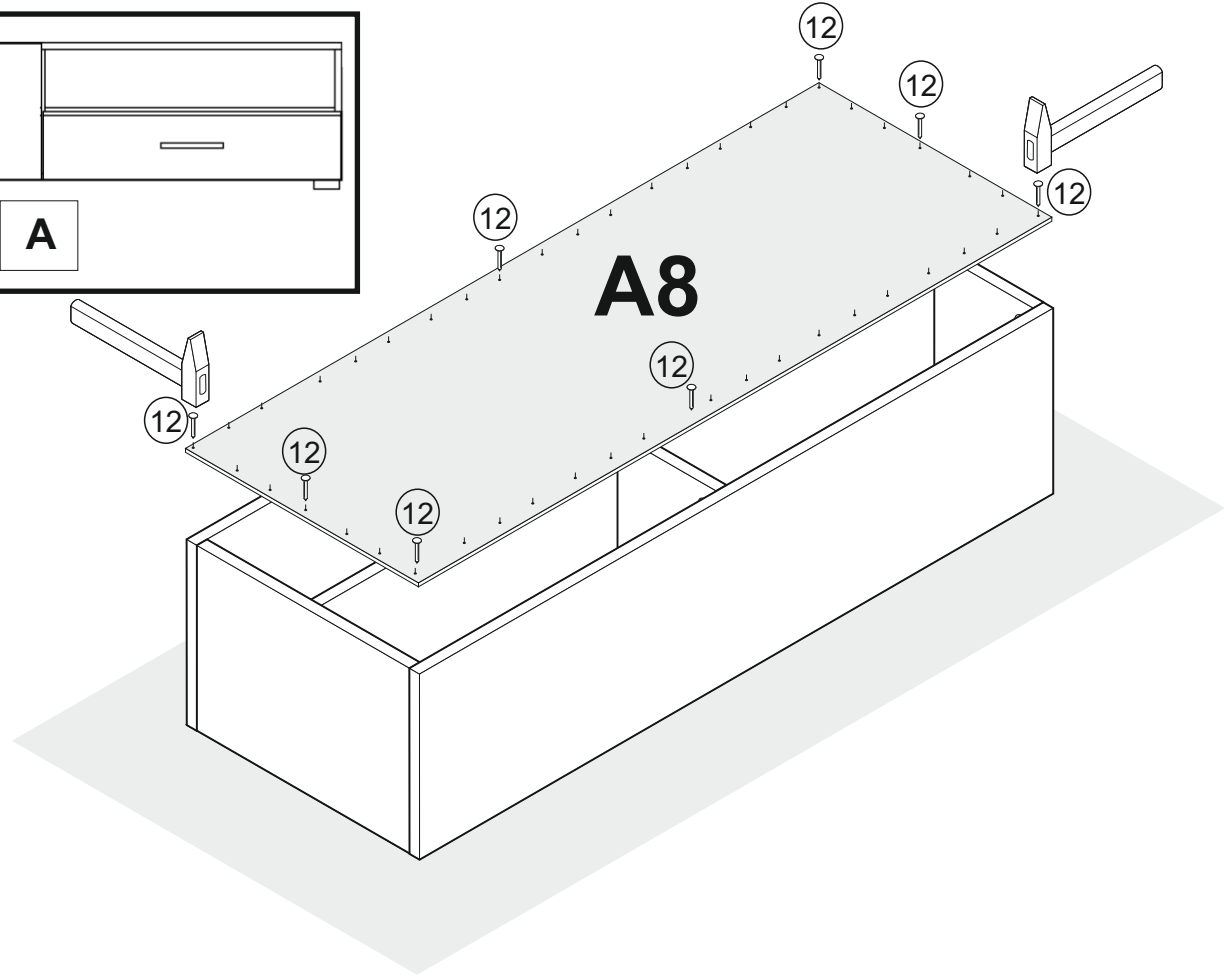
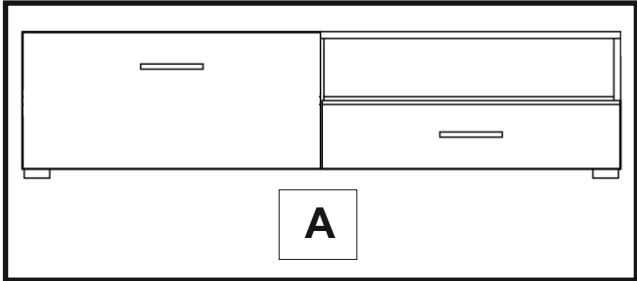
13		x 16
14		x 16
36		x 12
4		x 12
24		x 4
38		x 24
21		x 16
80		x 10

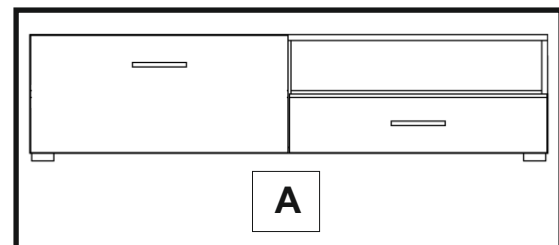
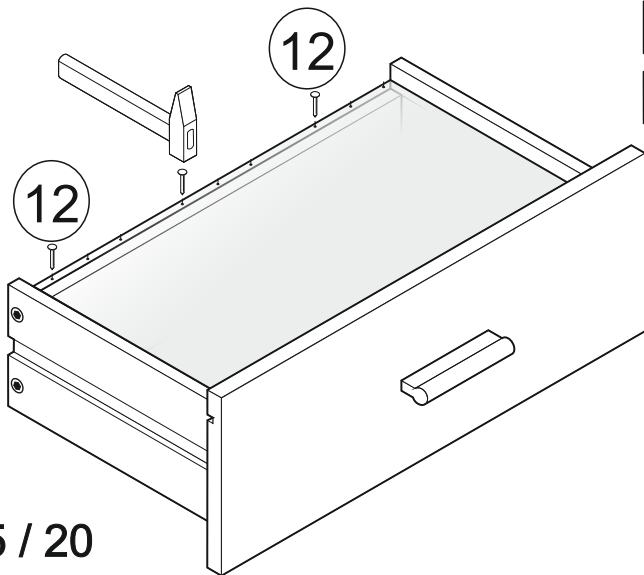
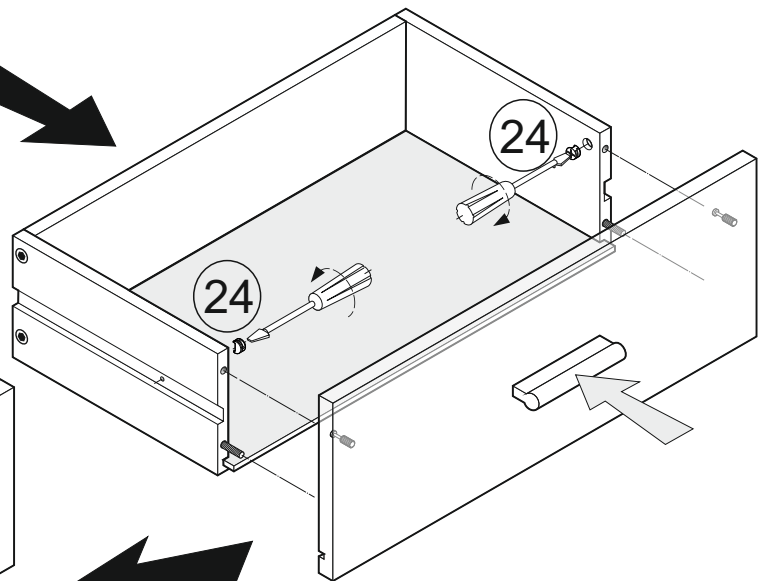
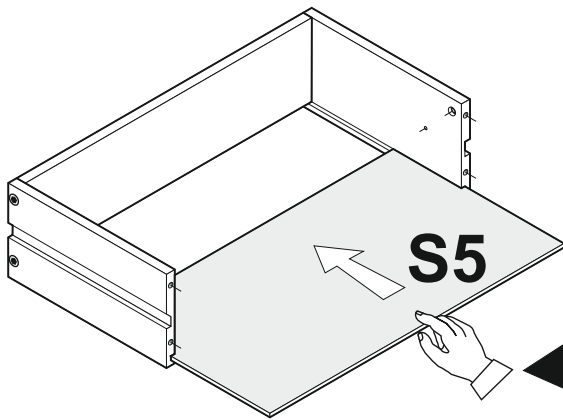
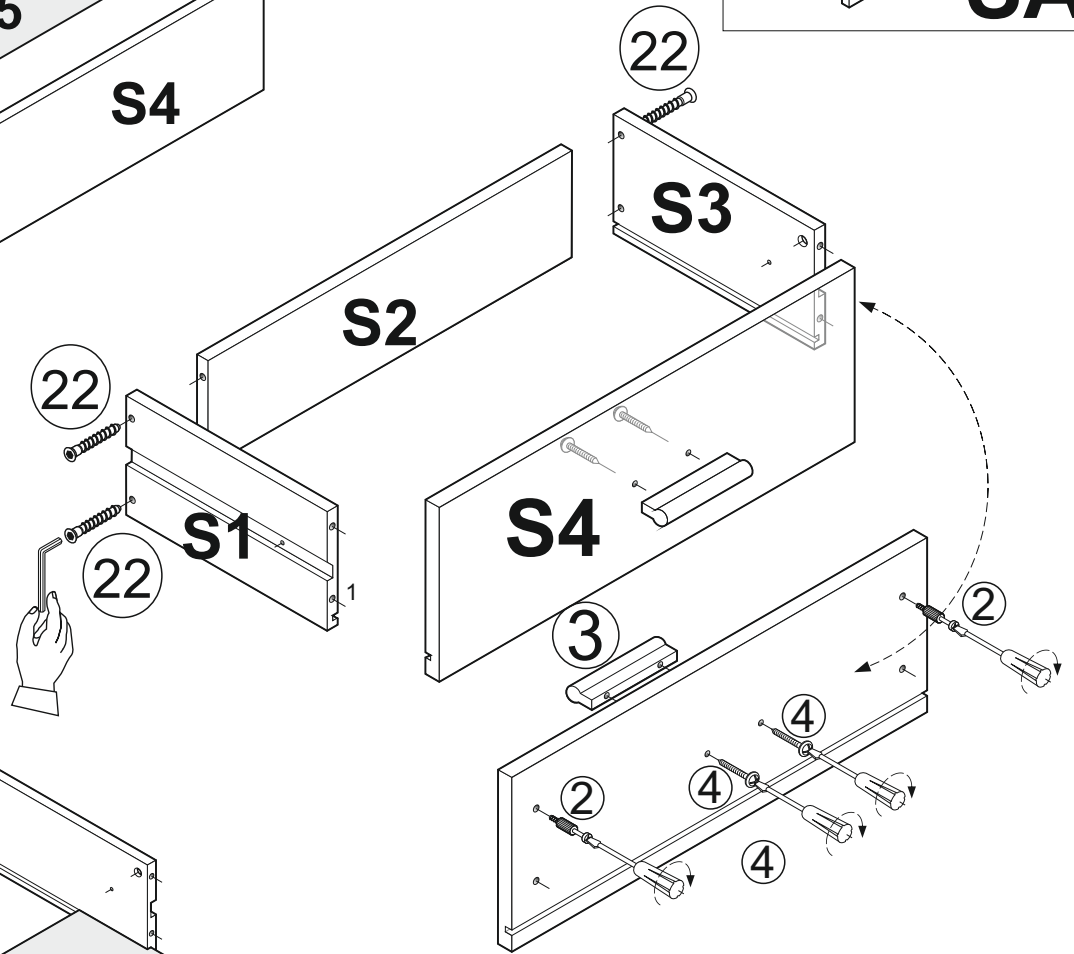
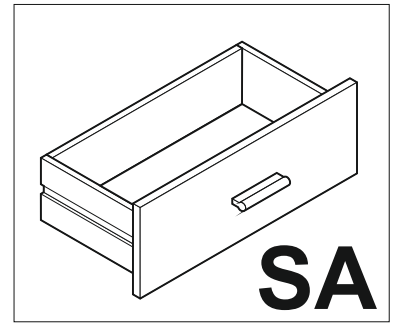
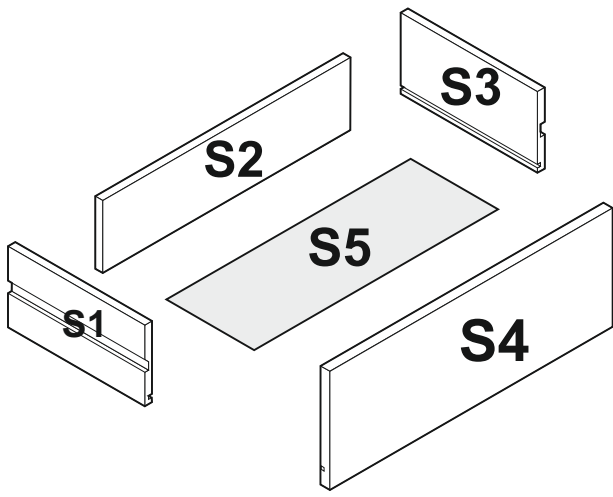
17		x 4
18		x 4
22A		x 26
22		x 26
25		x 4
39		x 24
23		x 4

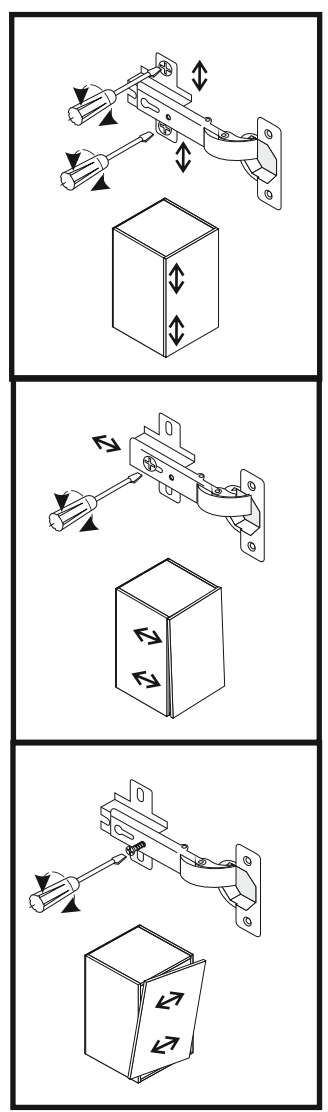
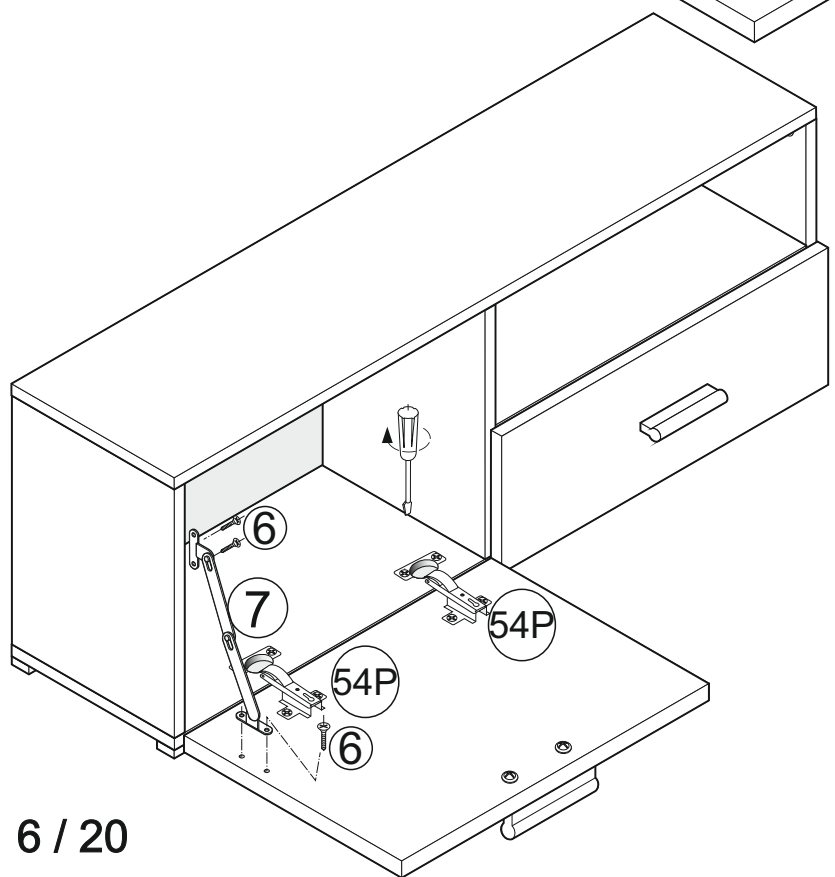
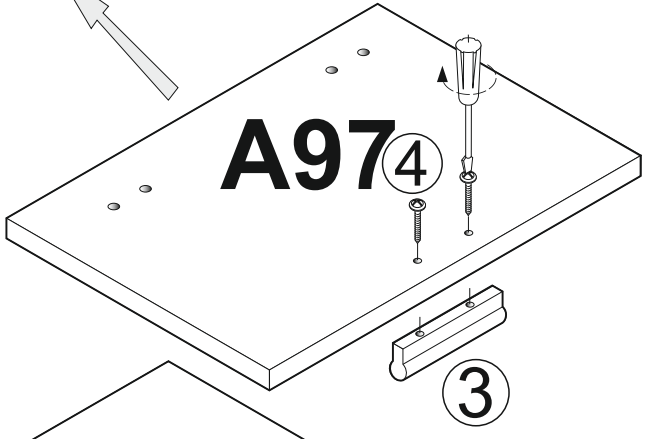
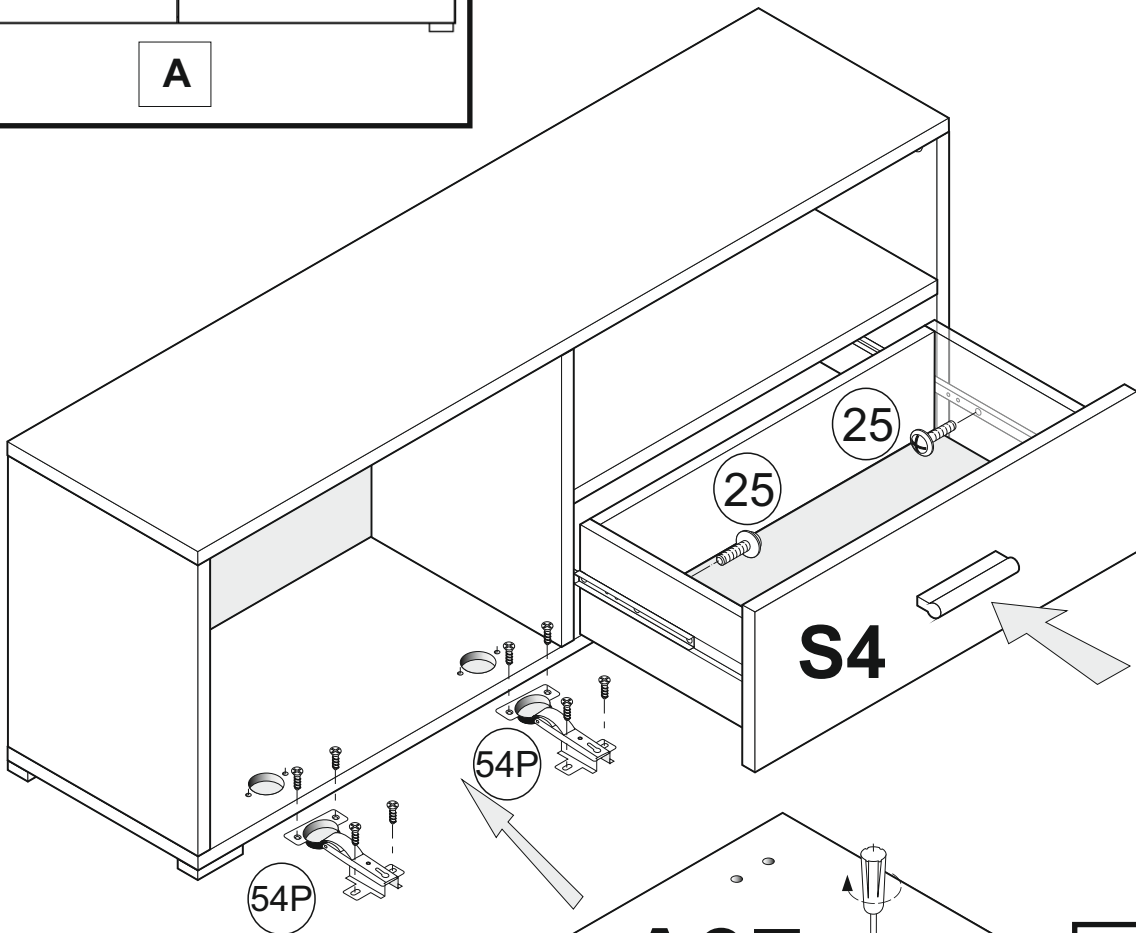
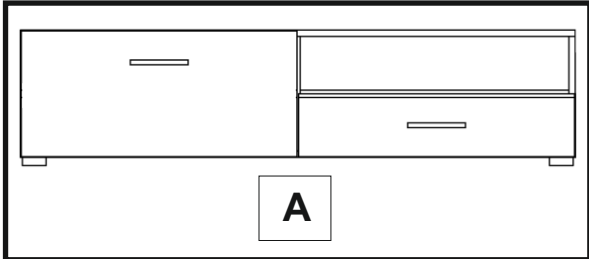


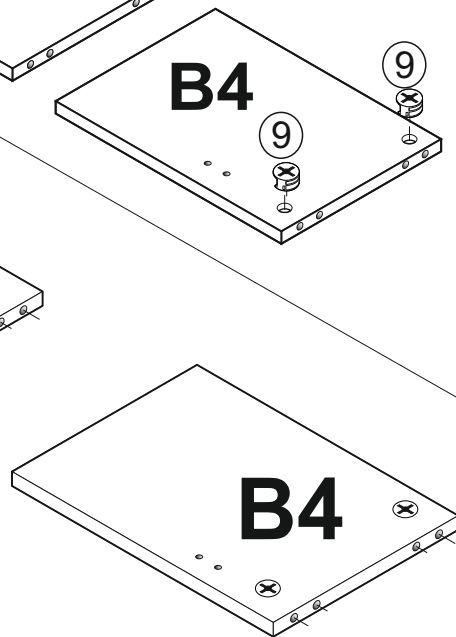
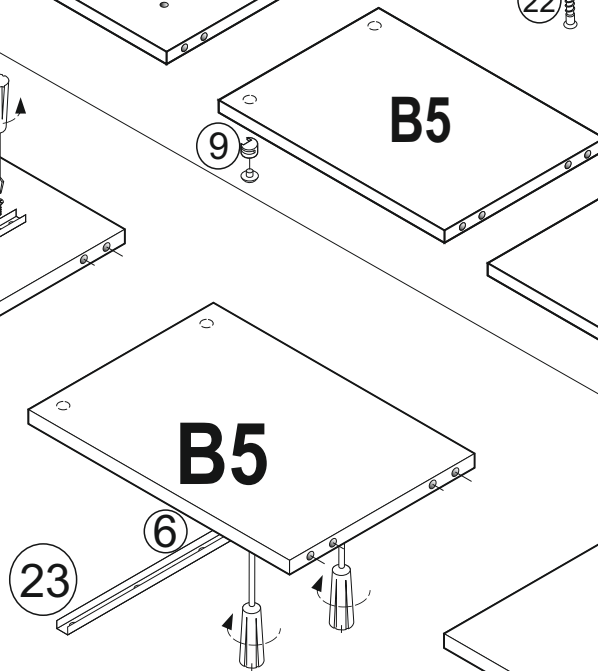
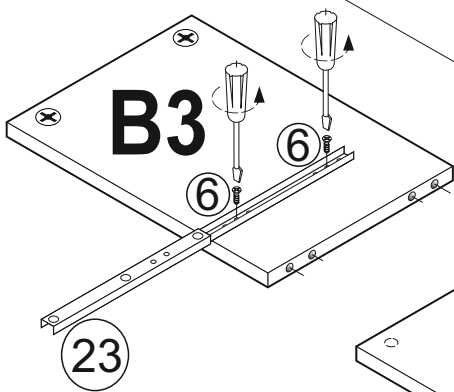
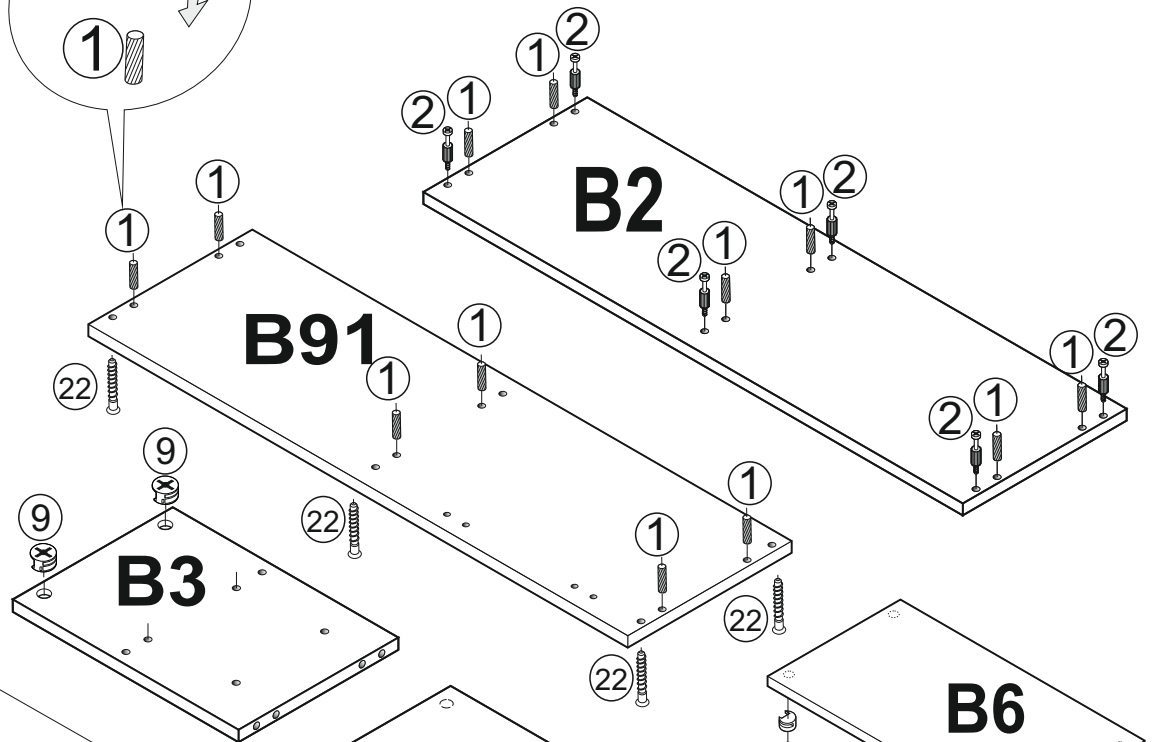
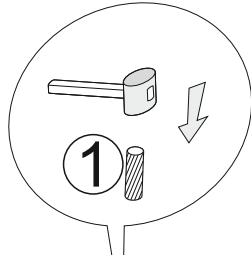
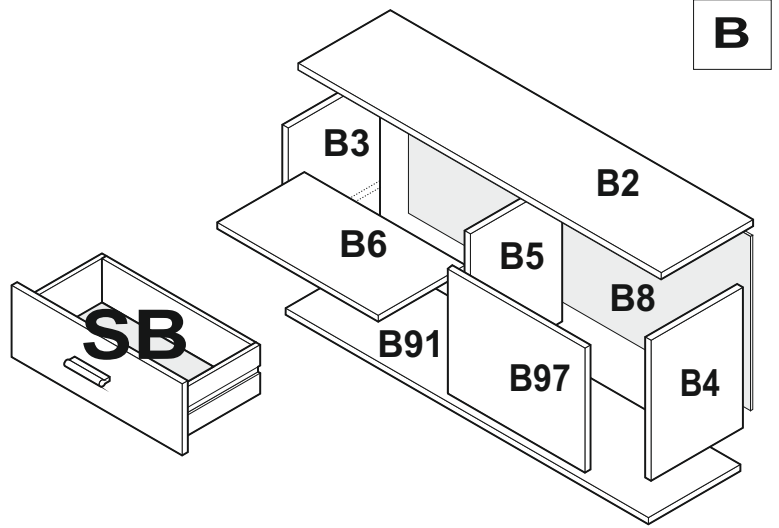
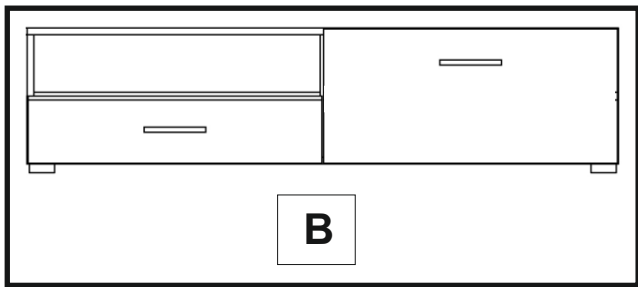


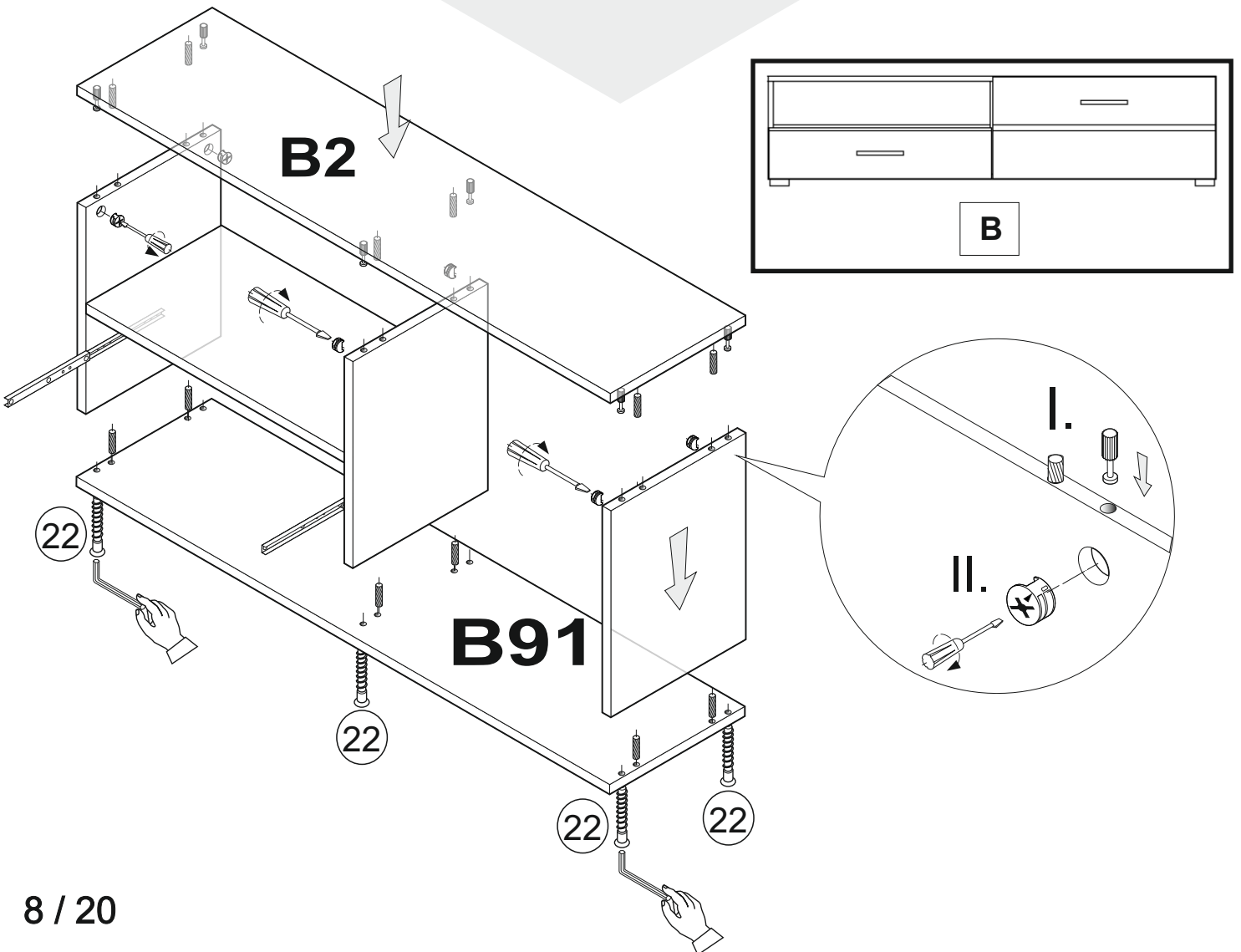
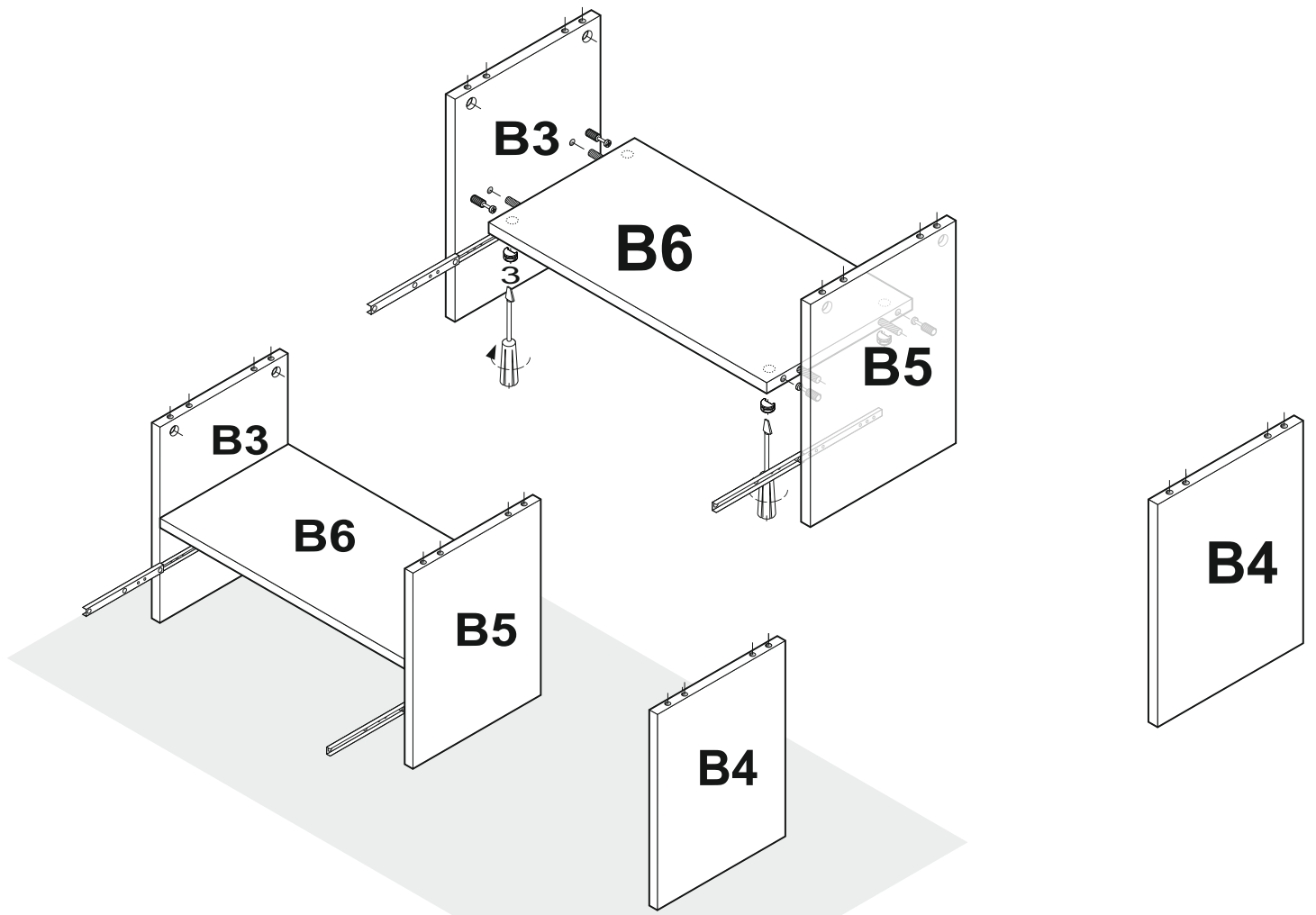


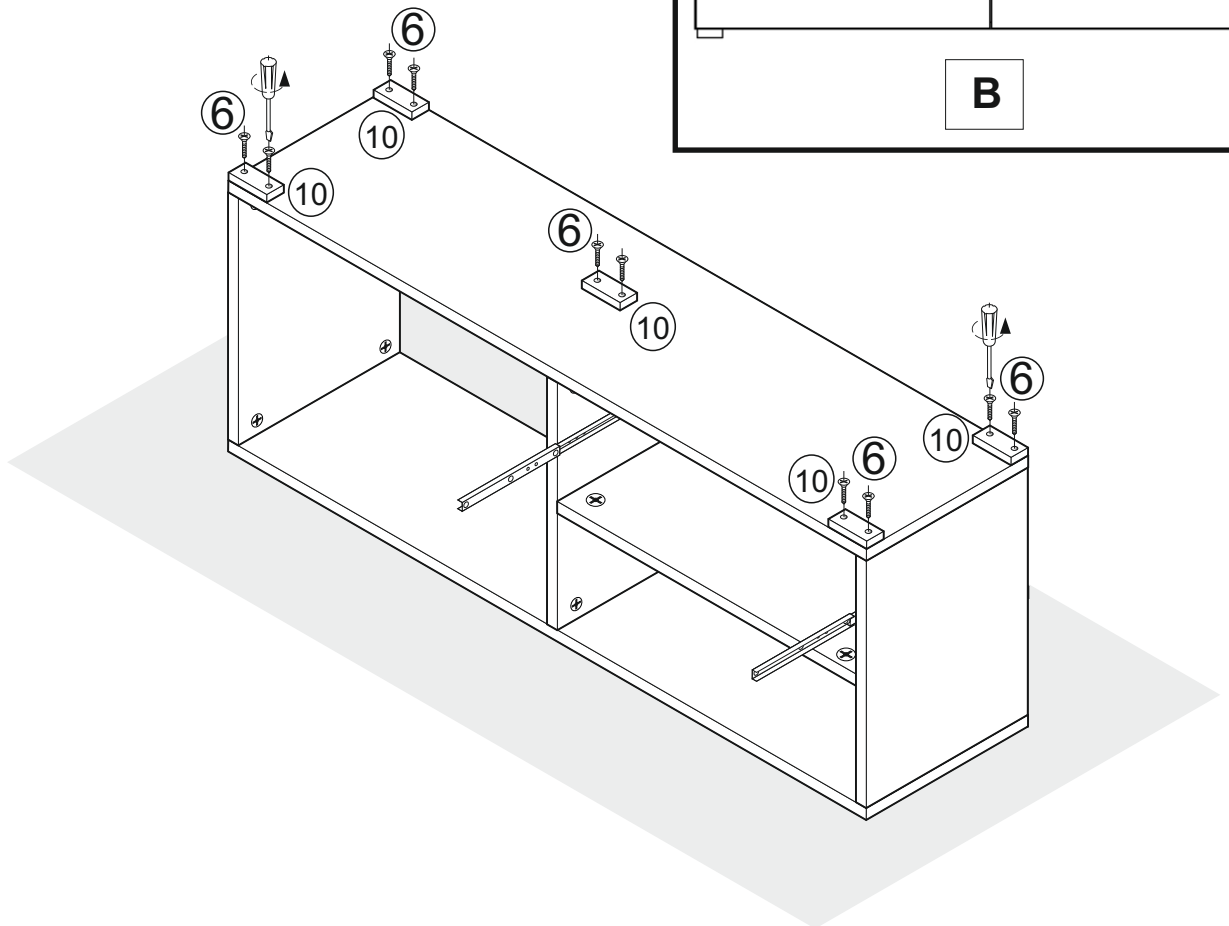
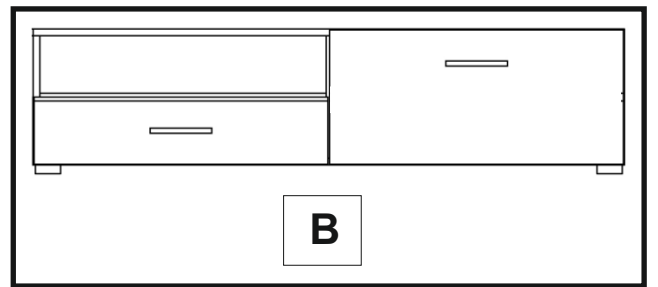
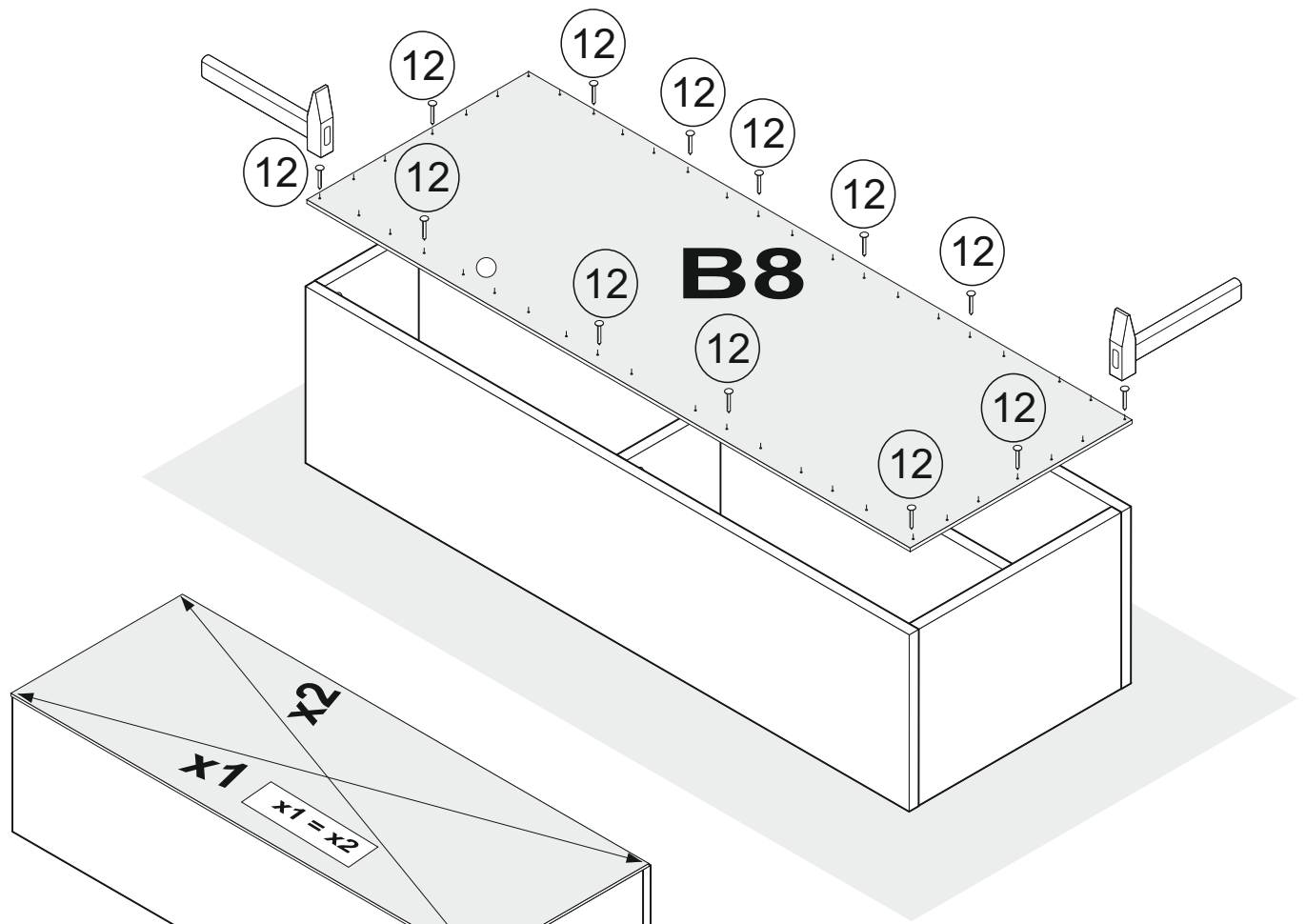




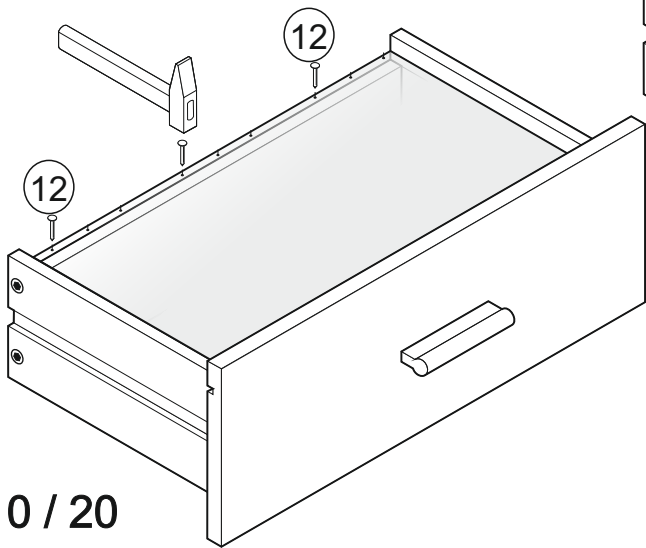
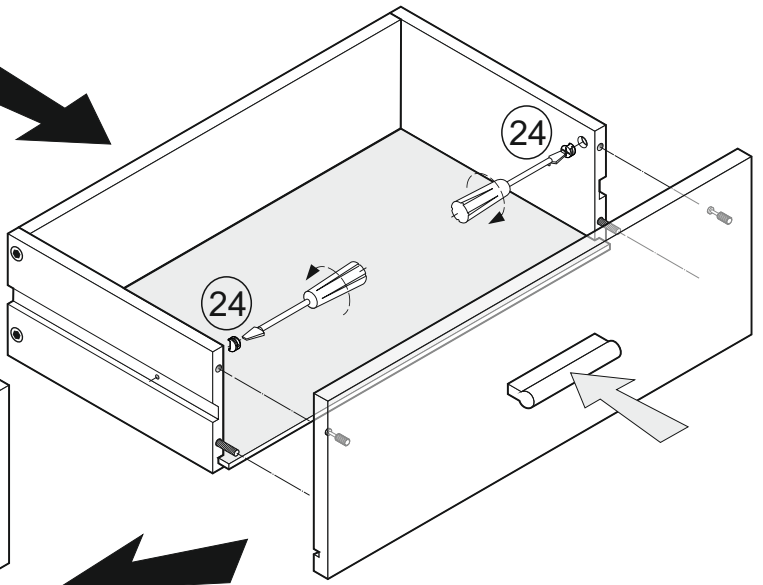
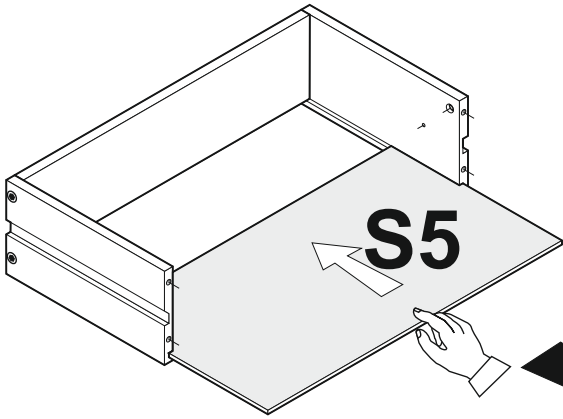
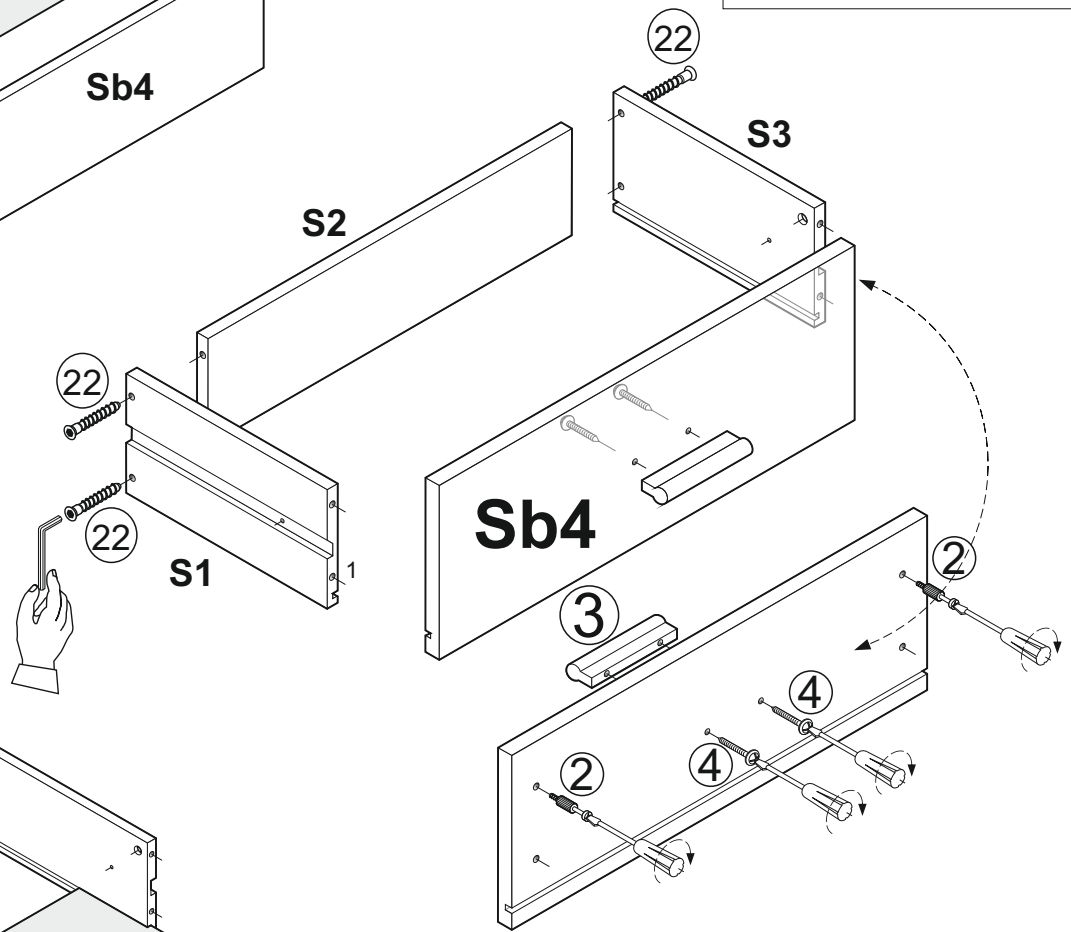
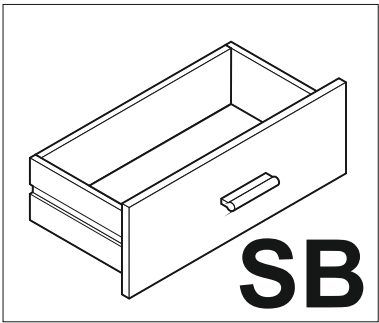
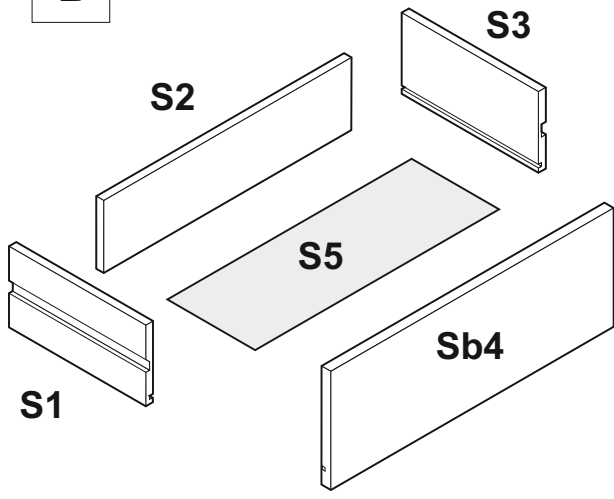


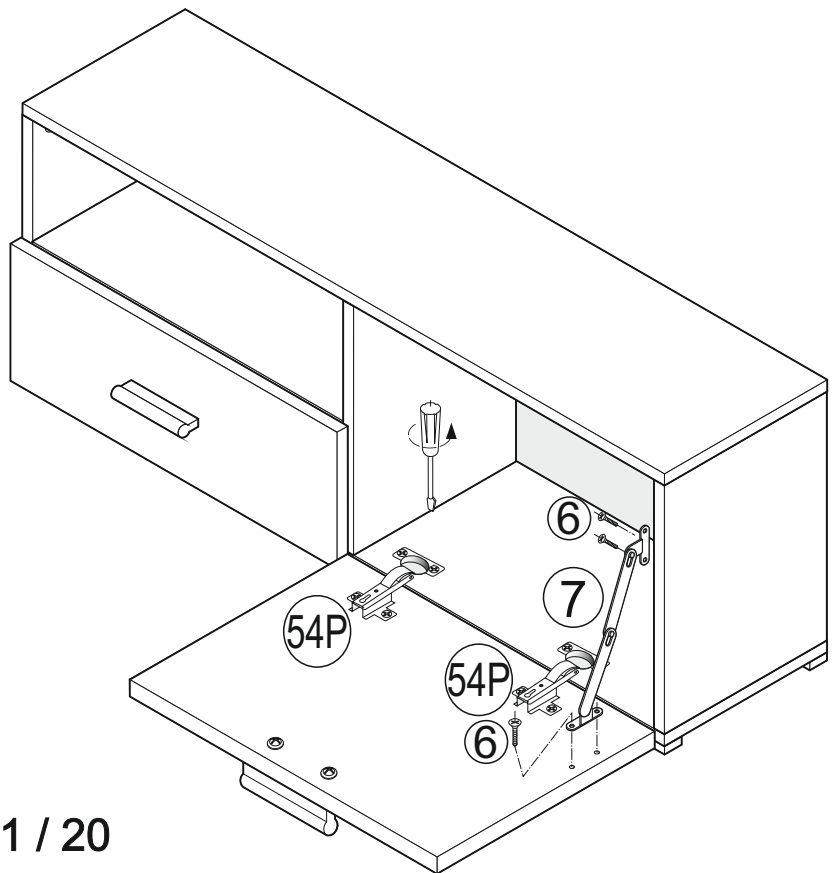
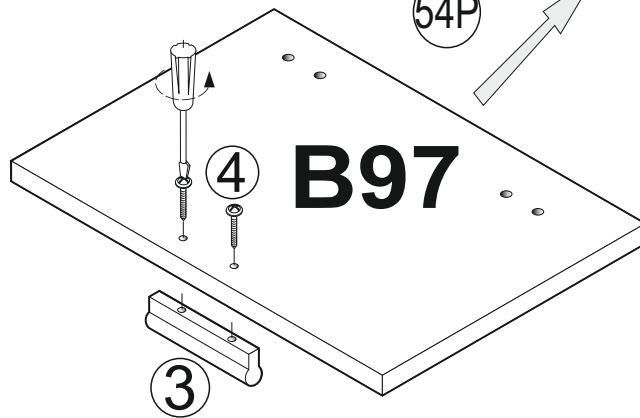
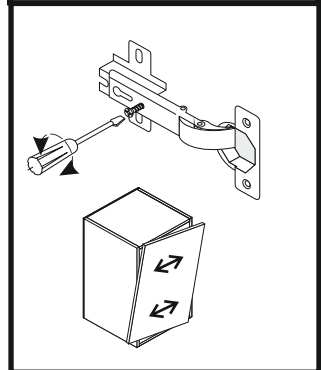
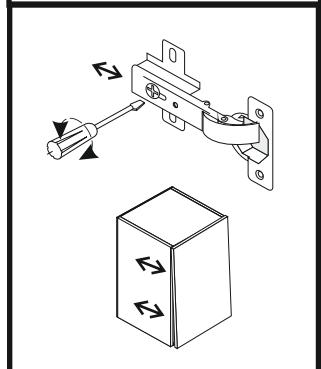
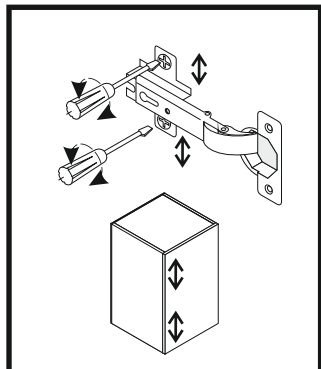
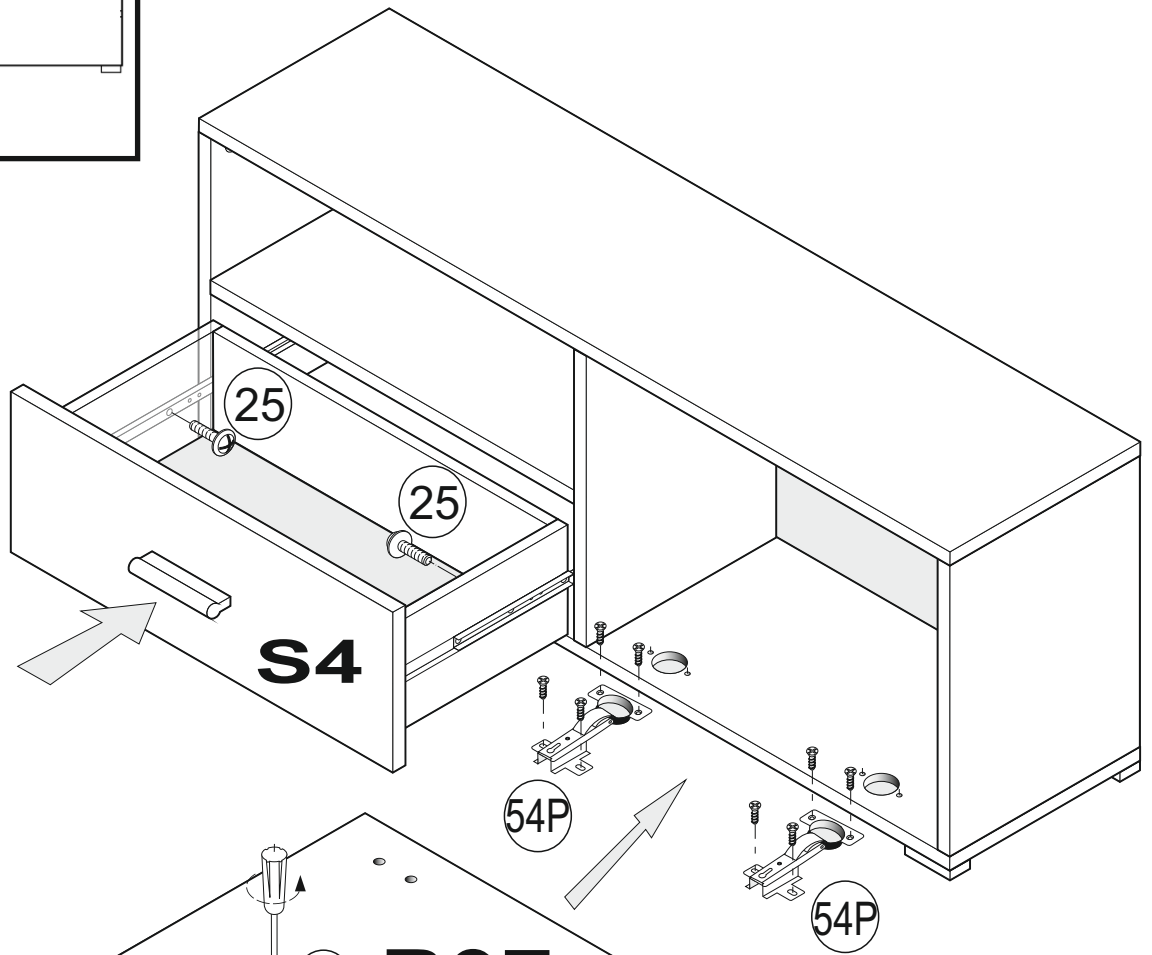
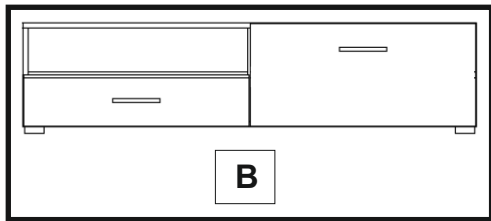




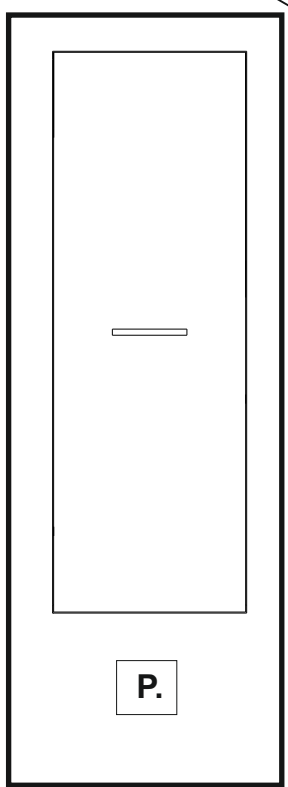
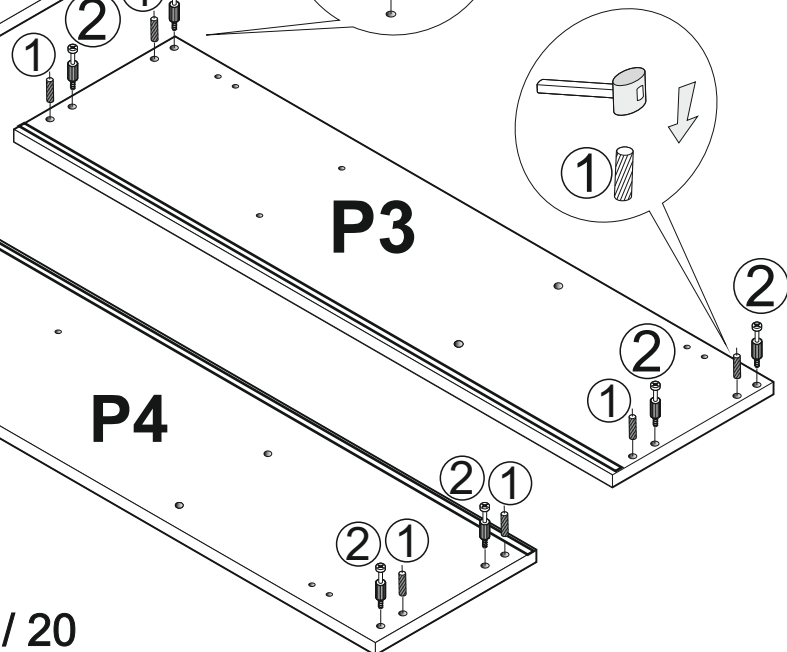
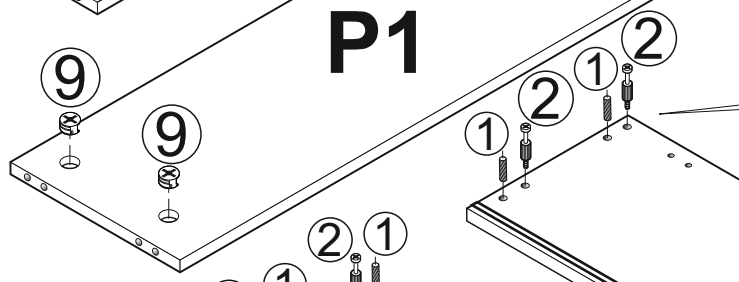
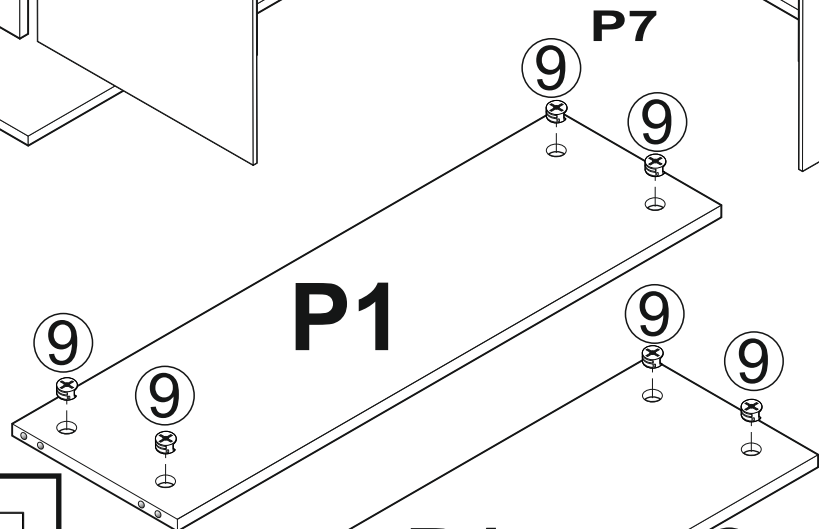
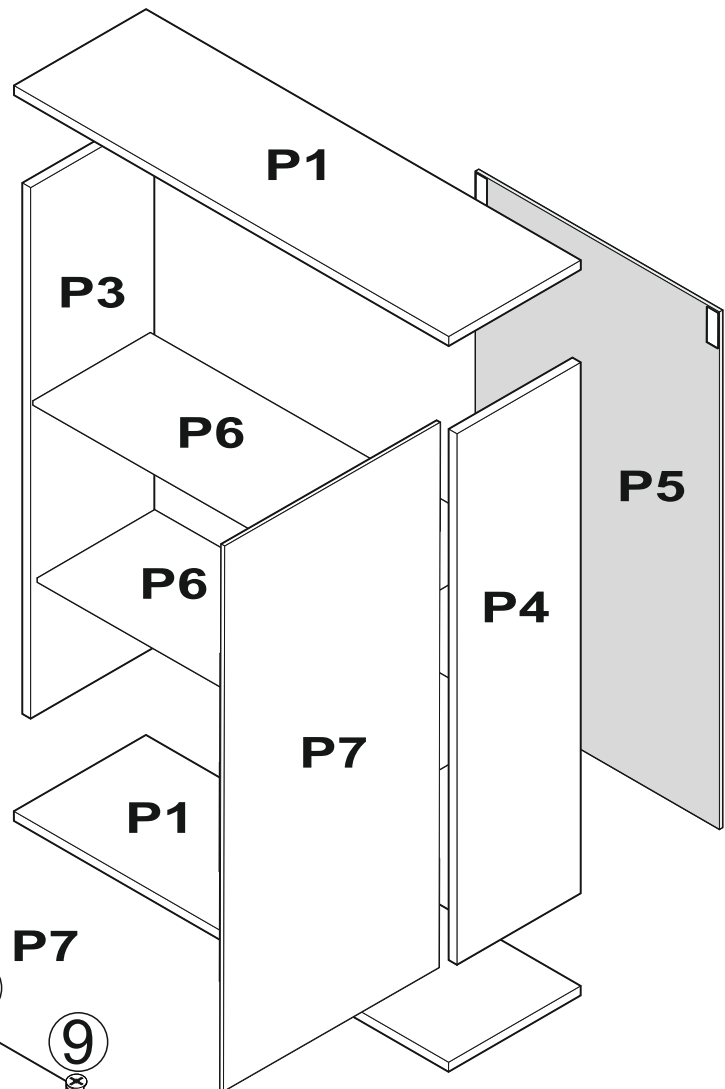
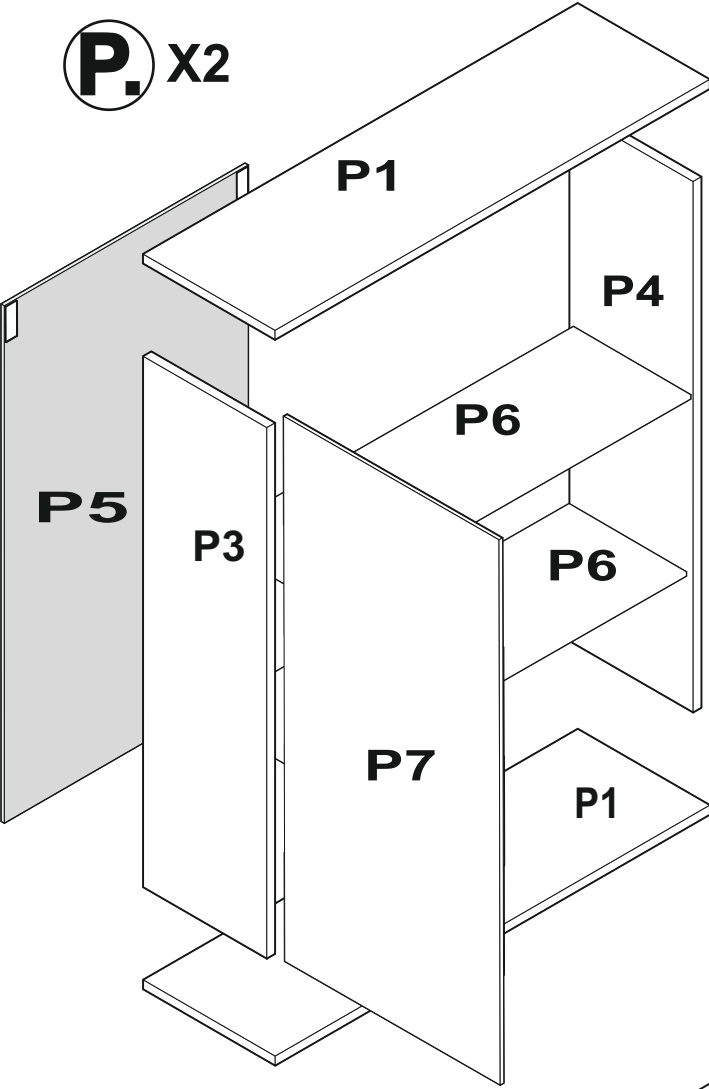


B

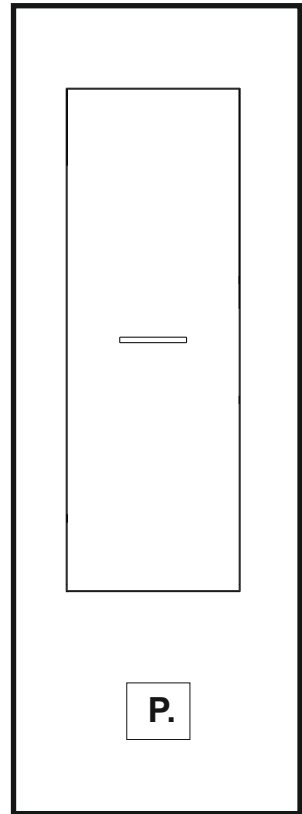
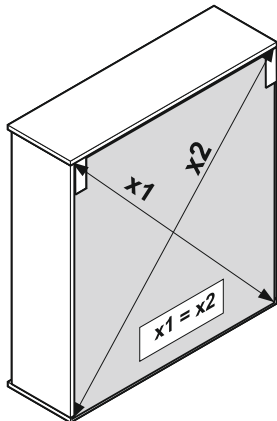
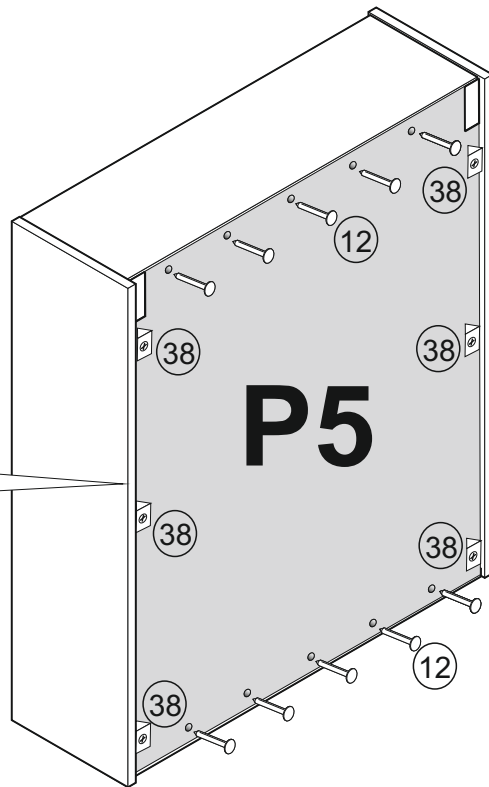
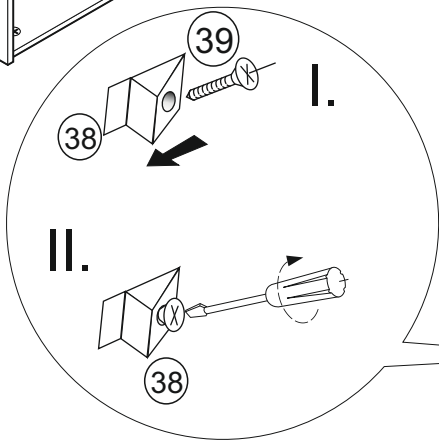
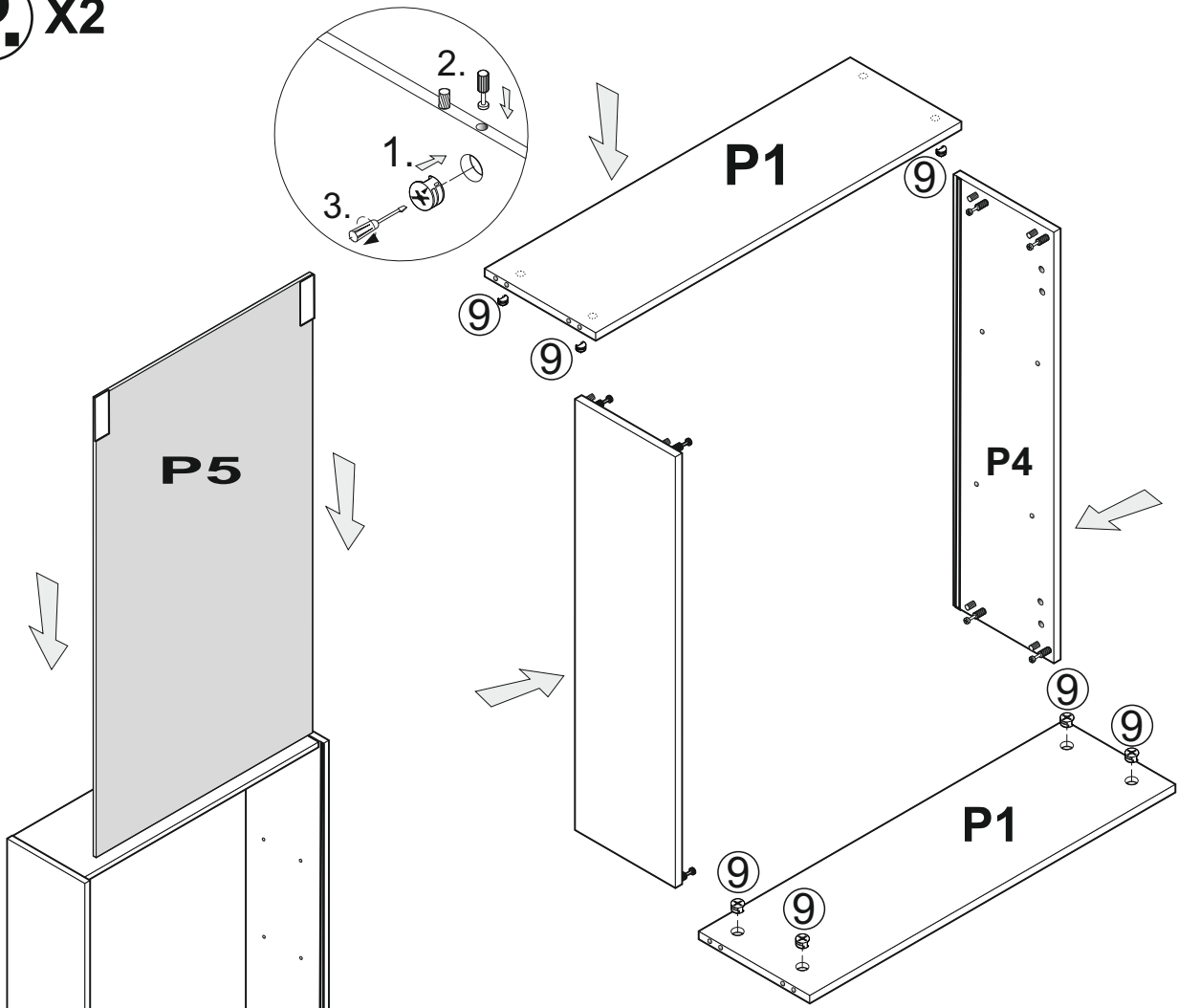




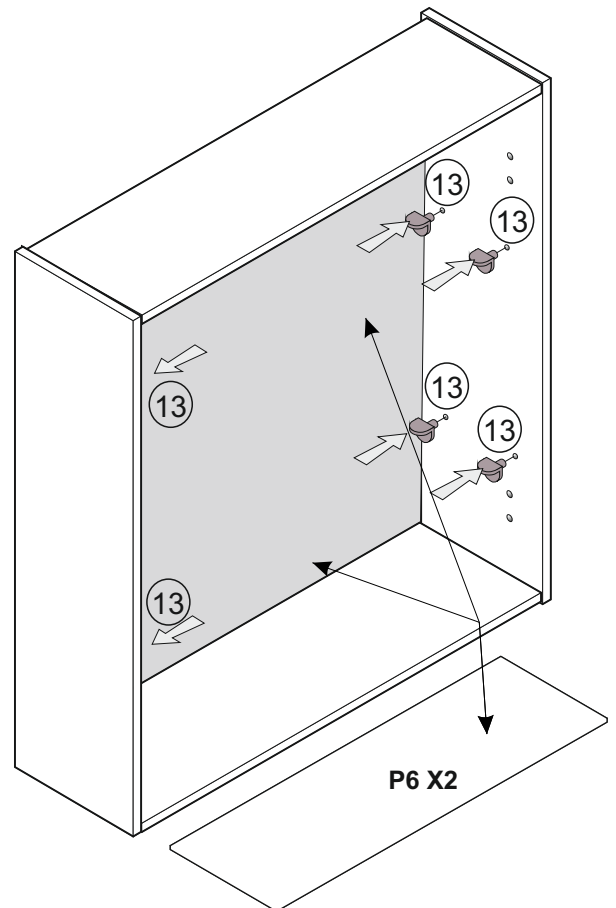
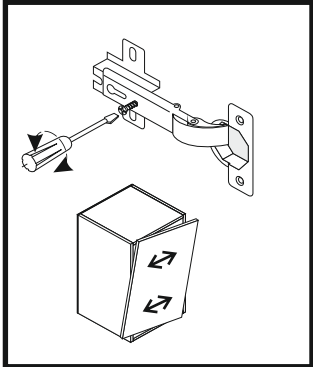
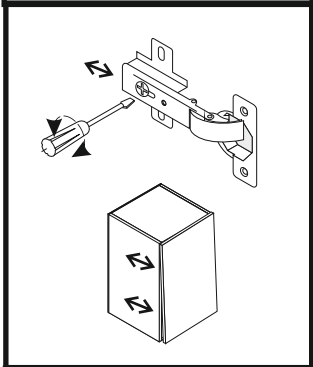
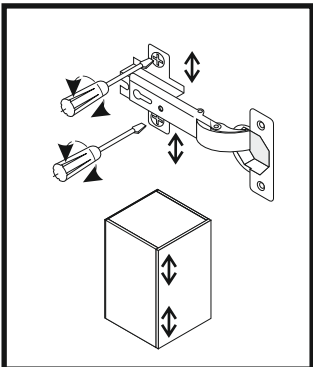
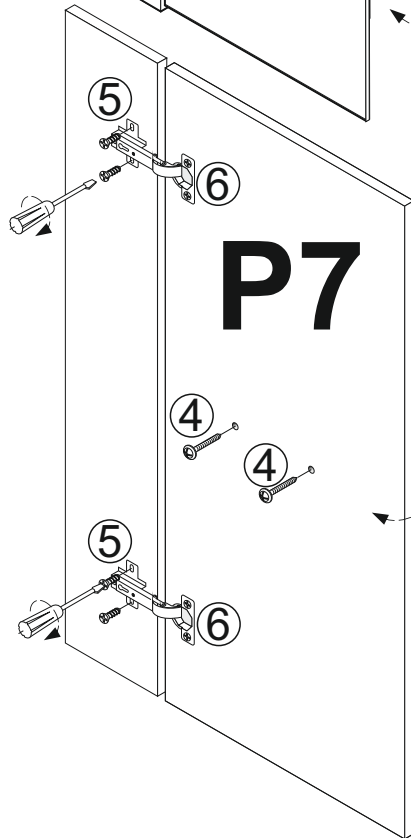
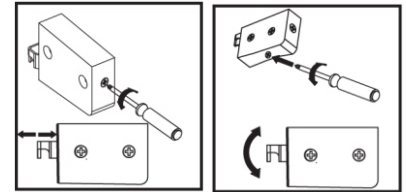
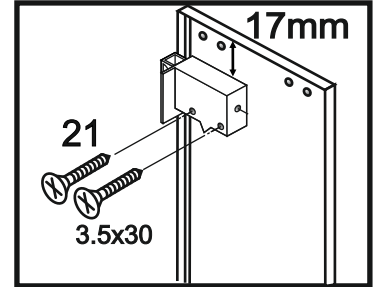
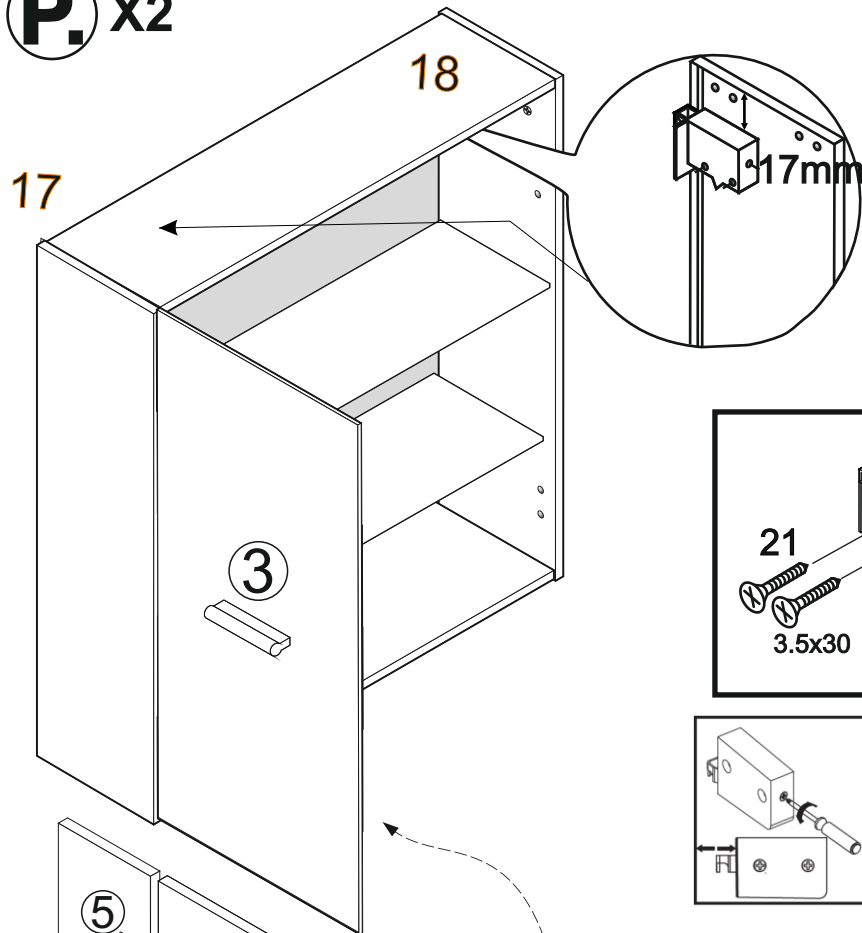
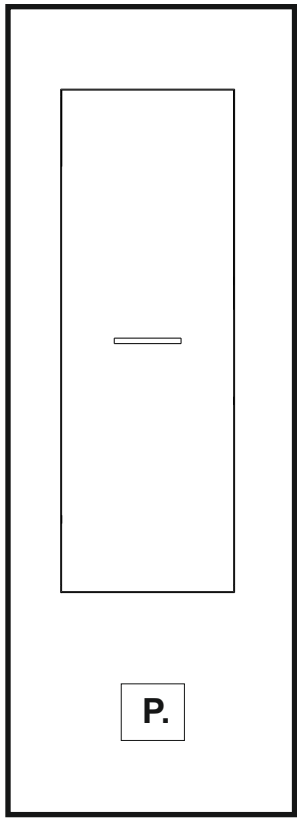
P. X2



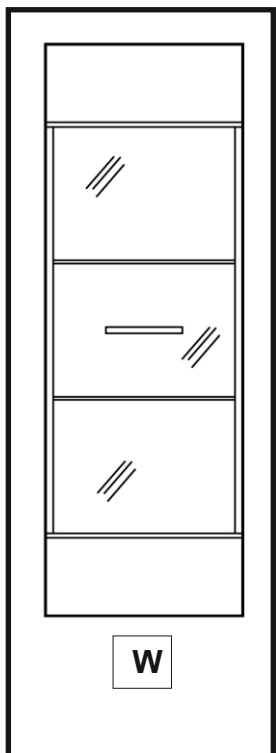
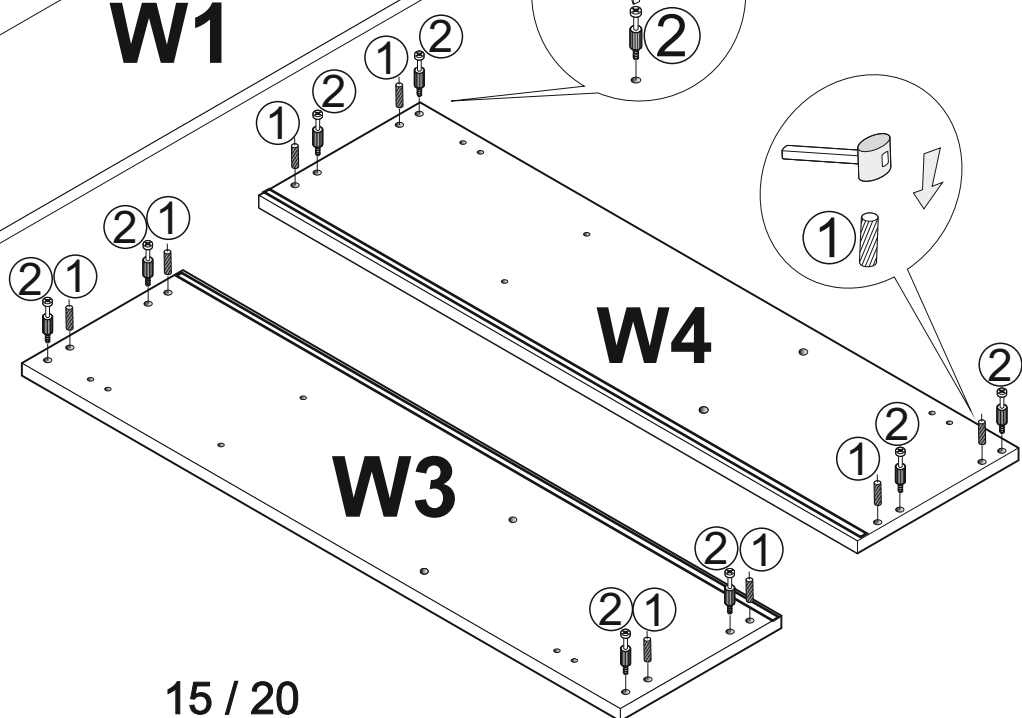
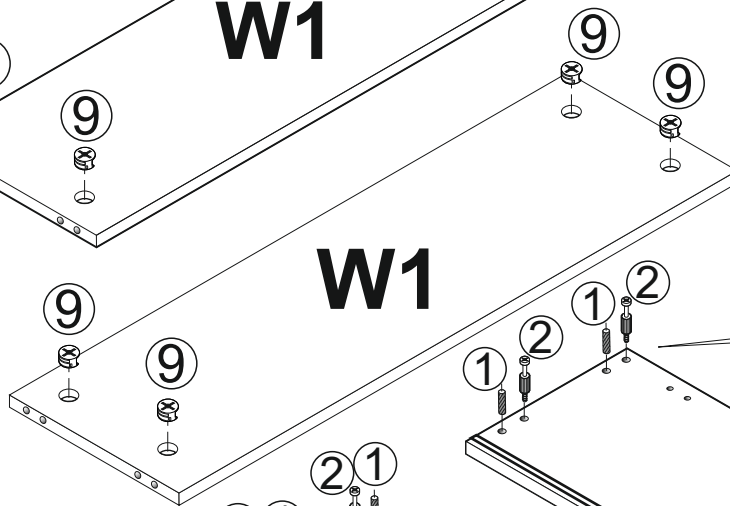
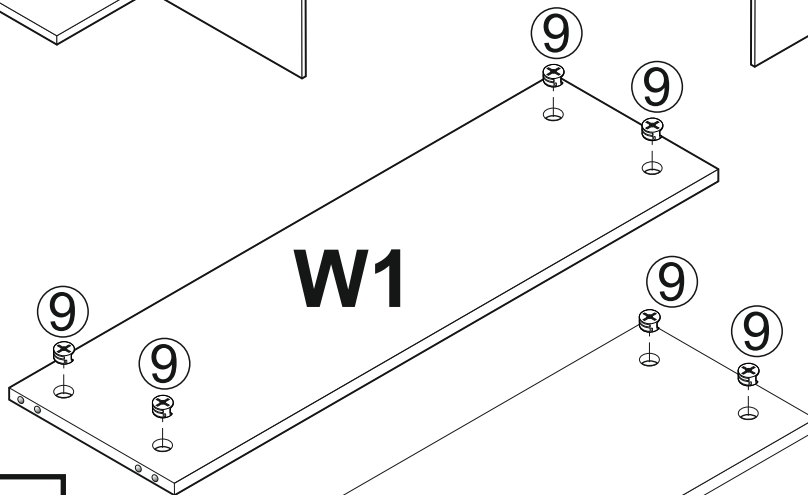
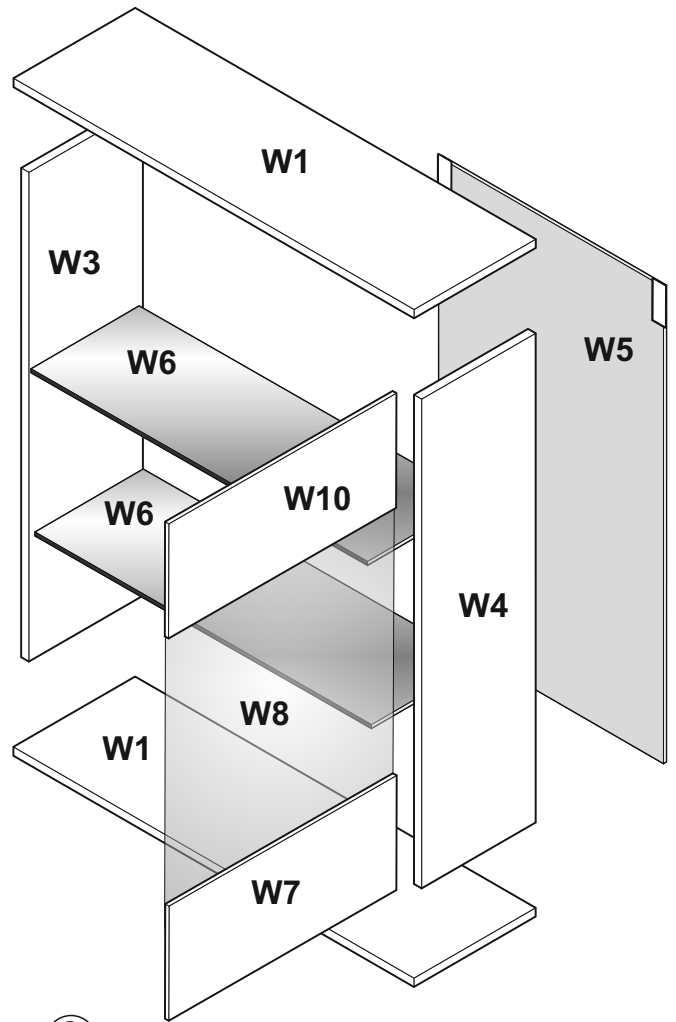
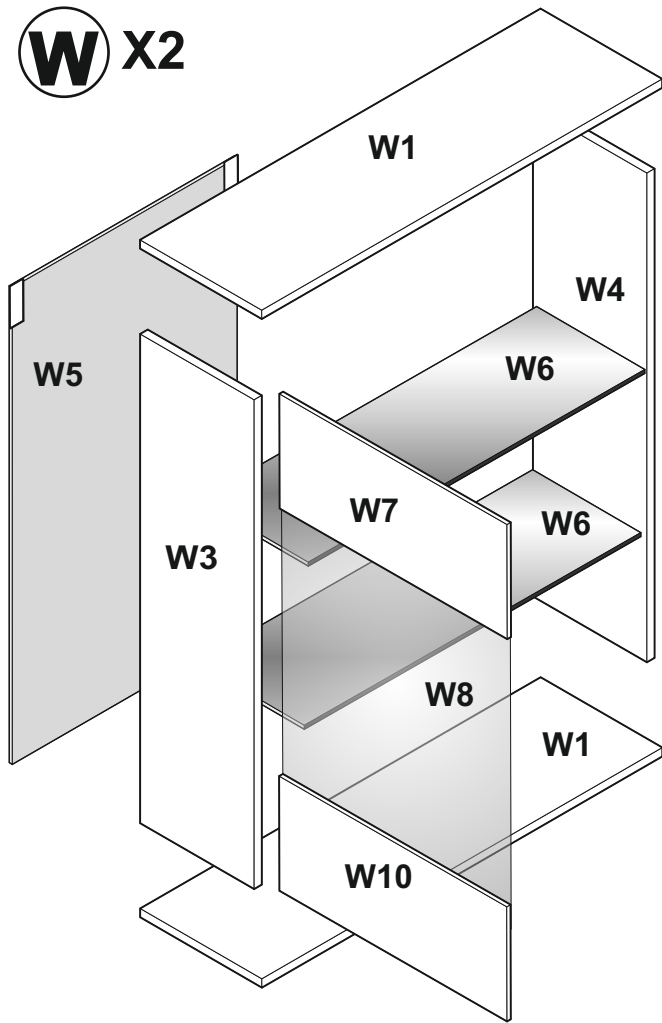
P. x2



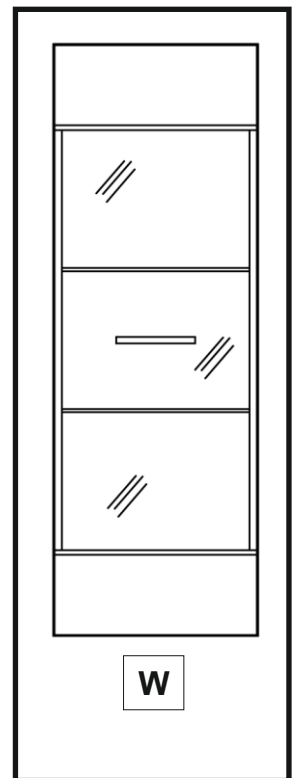
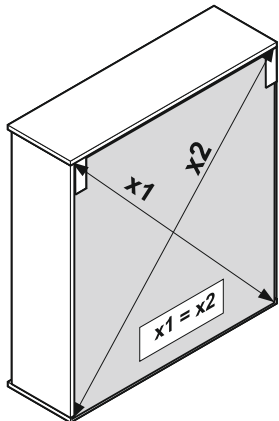
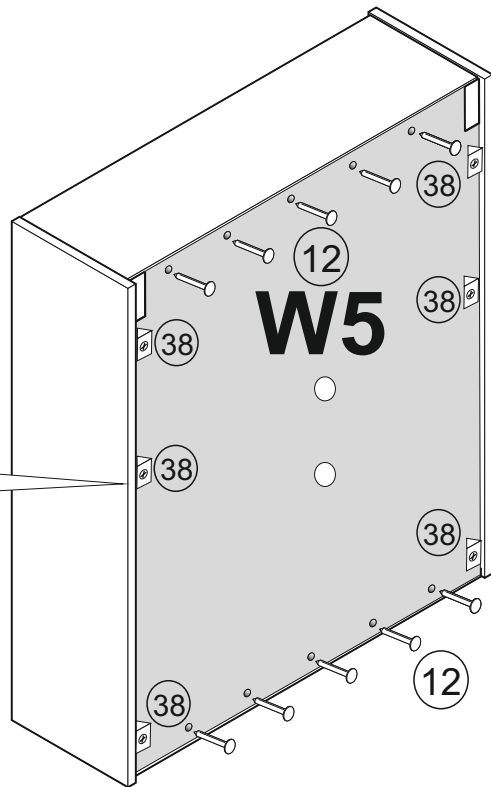
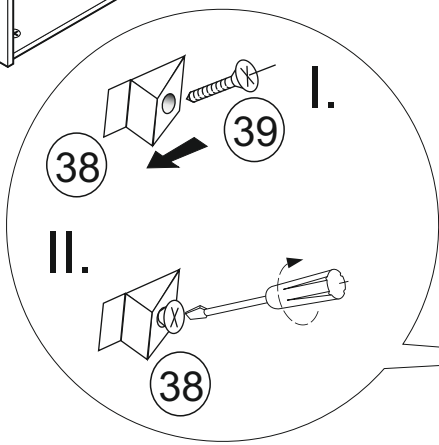
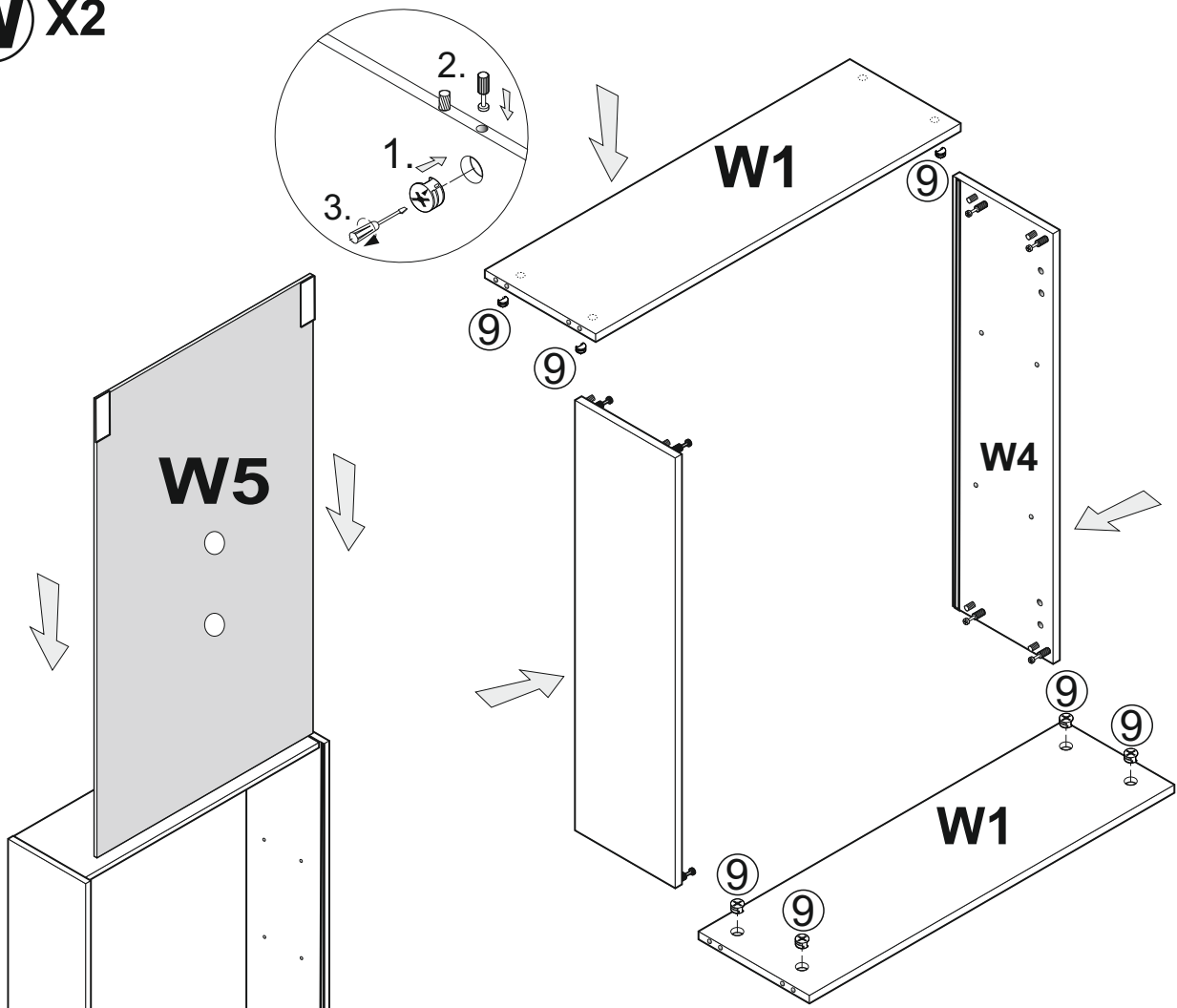
P. X2

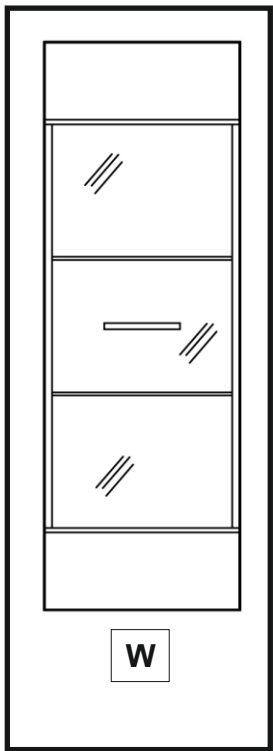


W X2

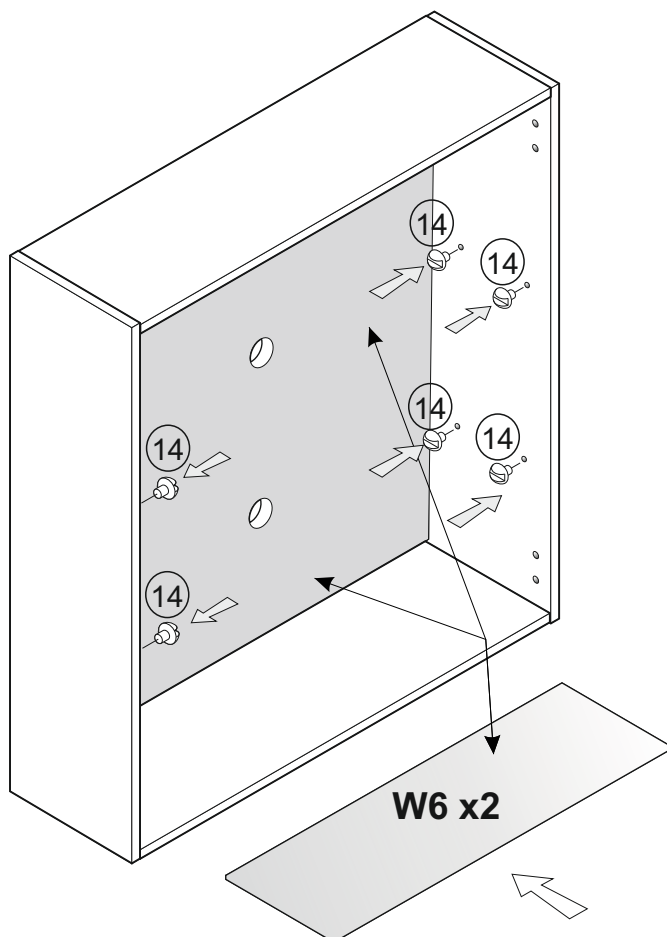
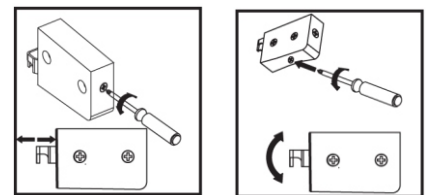
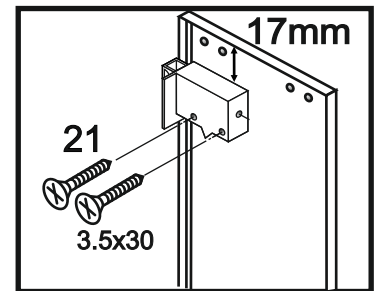
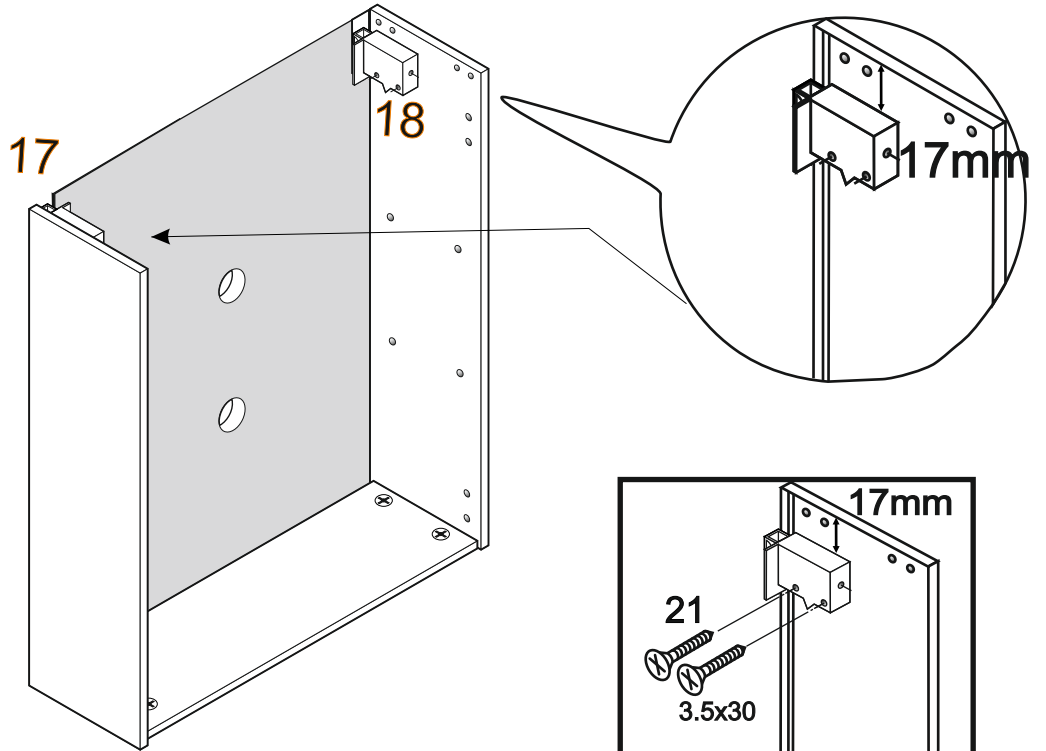


W X2

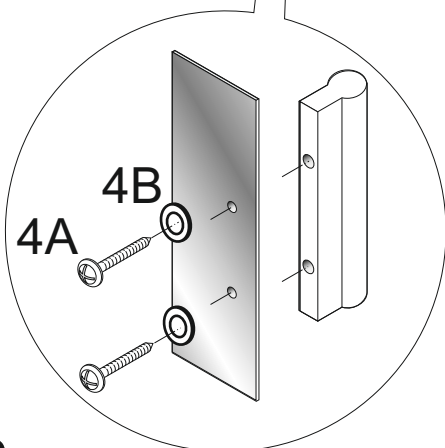
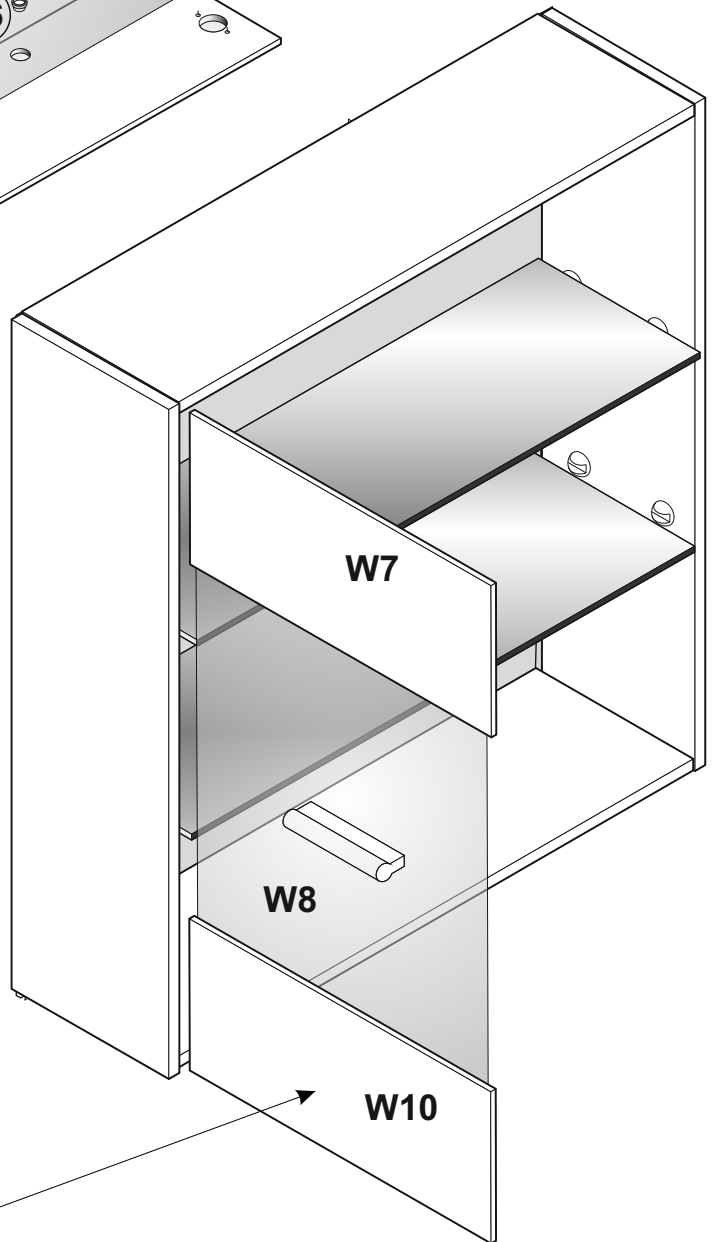
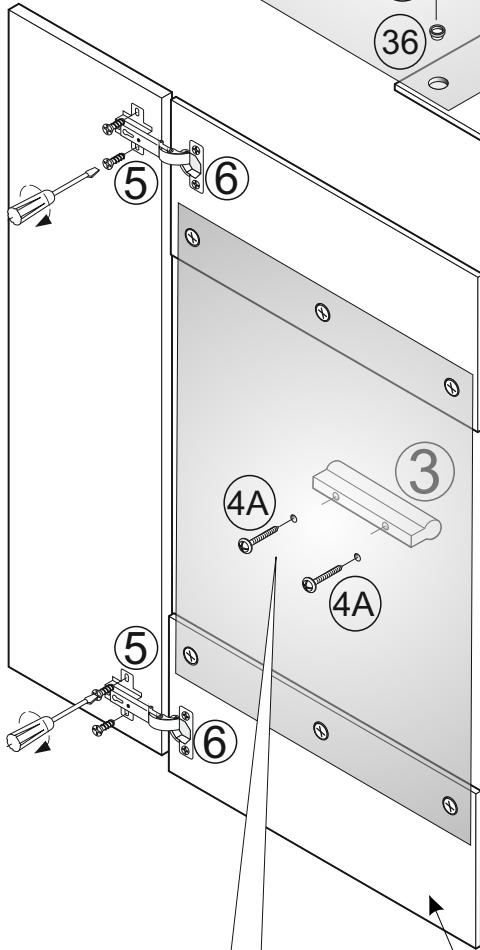
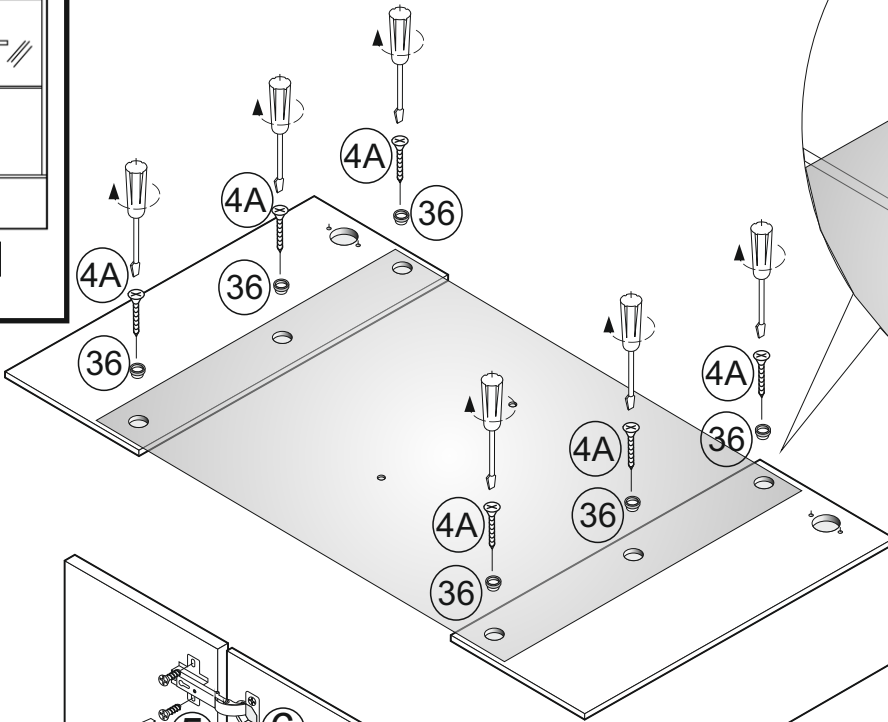
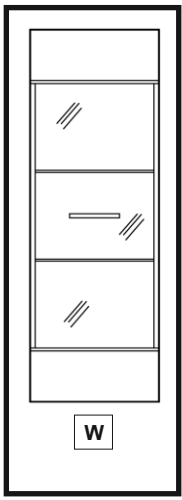




W X2

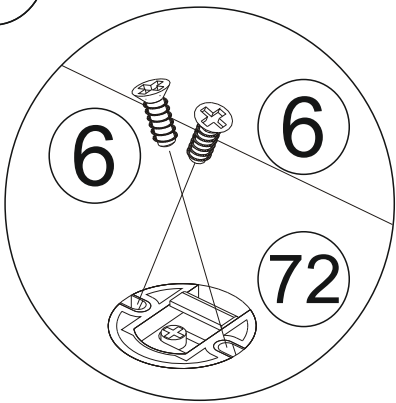


W X2



I

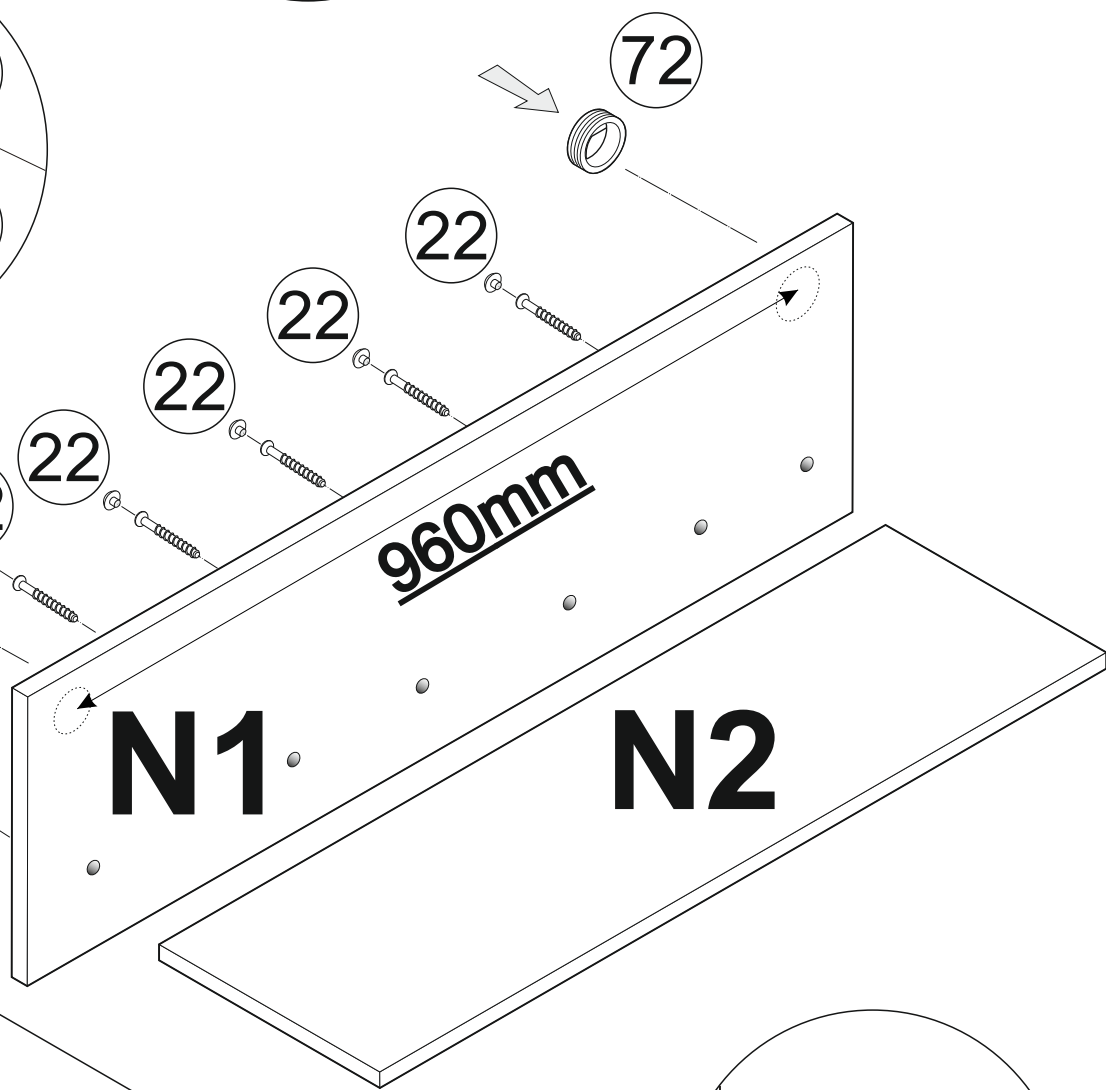
N



6 6 72

72 22 22

26 22

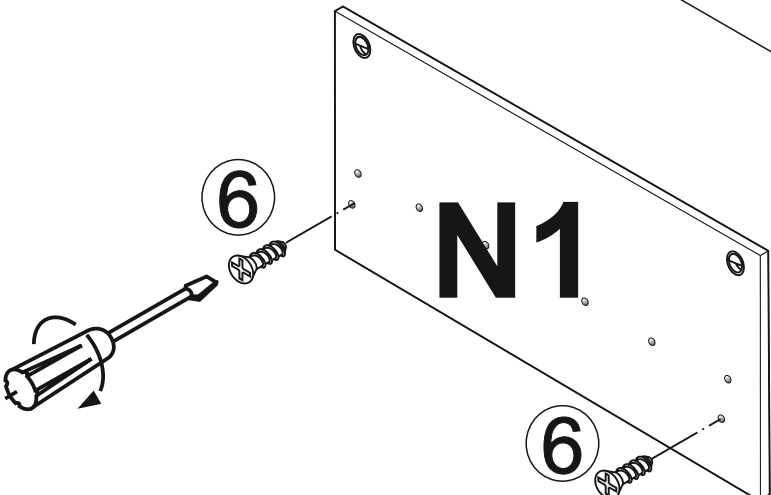


960mm

N1

N2

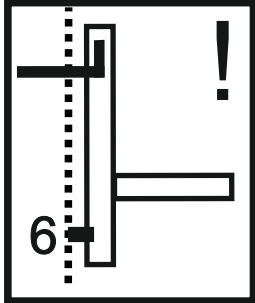
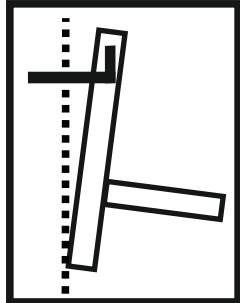
II



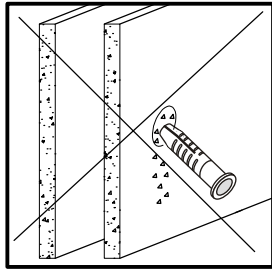
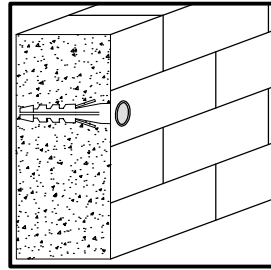
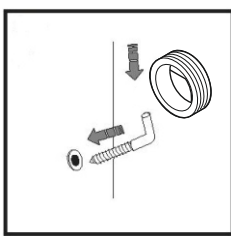
6

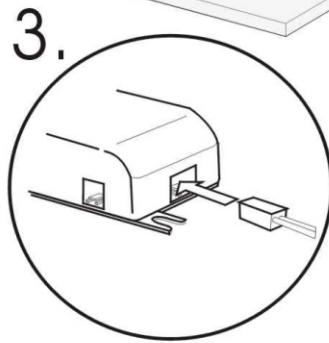
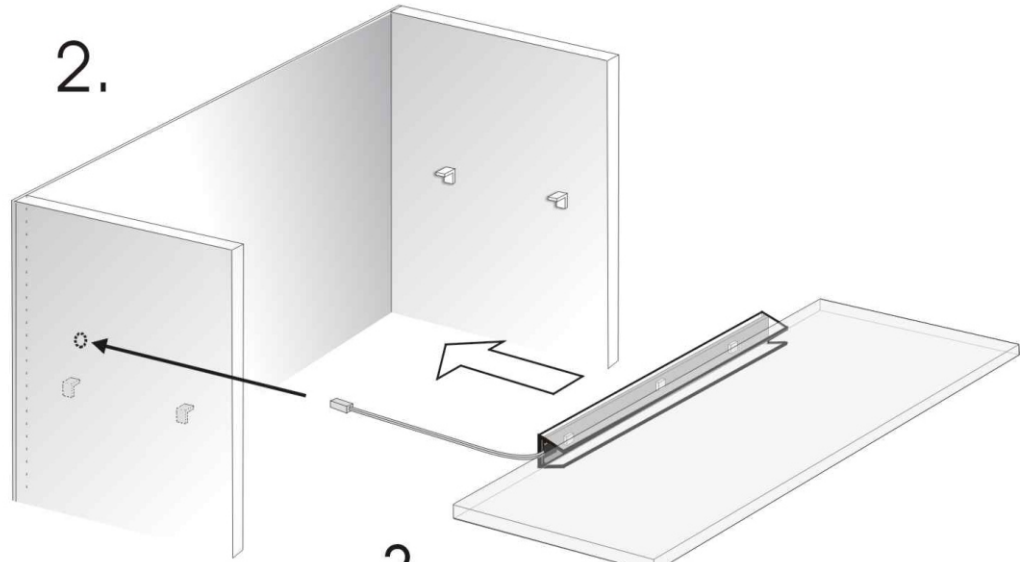
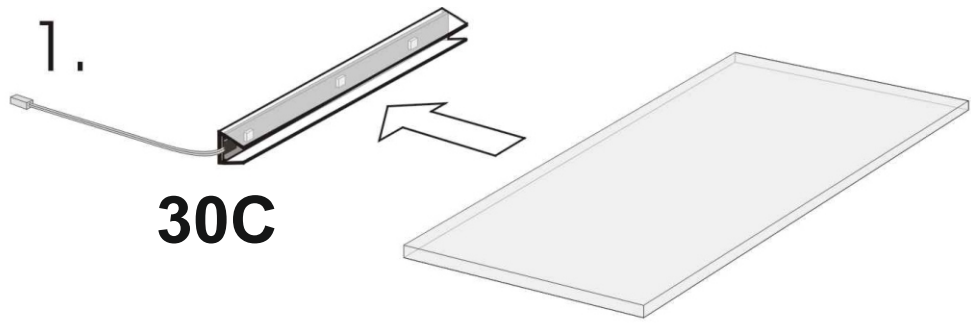
N1

6



6





4.

30A

3.

30B

